

SHOWCASES





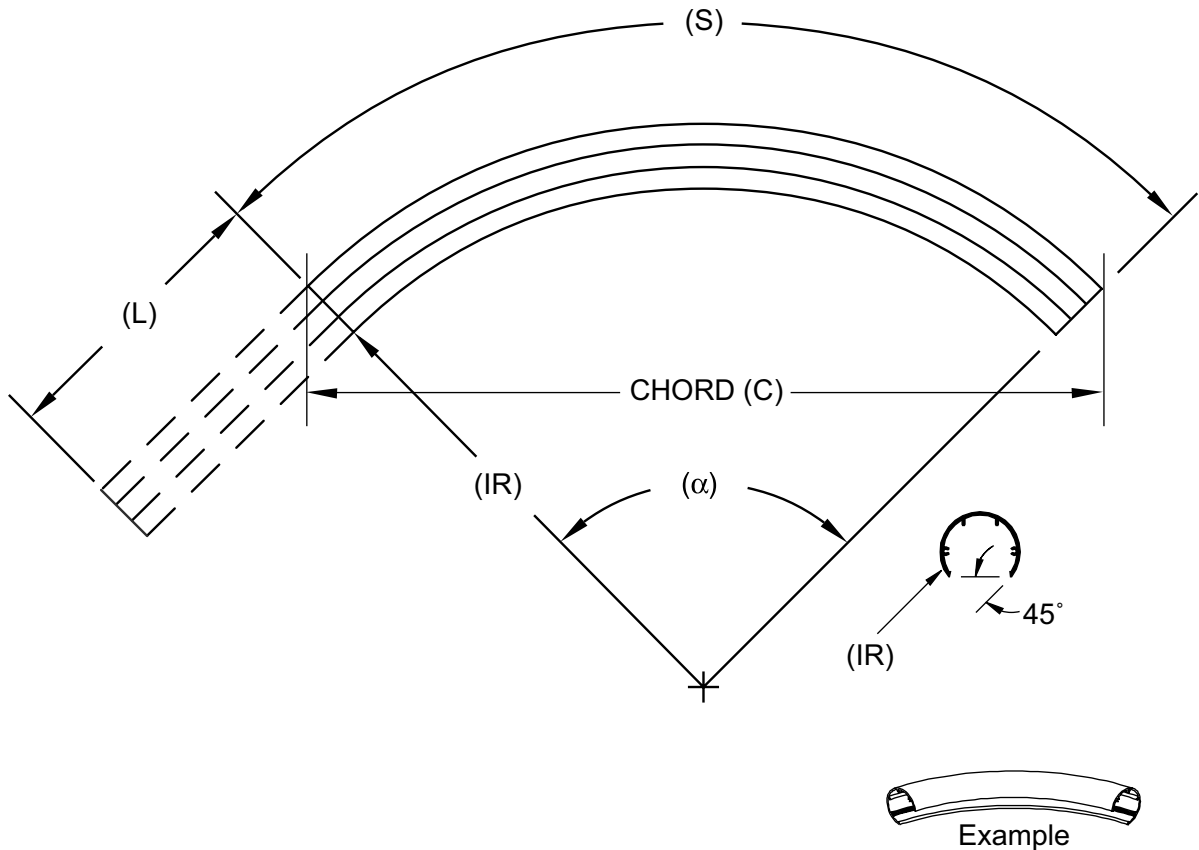
Showcases

Showcase systems offer a wide selection of framing, lighting and door options that allow you to integrate the components of your choice into a custom showcase that meets your exact specifications. Experience in showcases has enabled us to perfect the alignment of each component into curved, clipped, or straight configurations.

Curving Capabilities	2
Showcase Configurations	3
Aluminum Glass End Showcases	4
Stainless Steel Showcases	12
Aluminum Wood End Showcases	15
Light Reflectors	20
LED Downlight	35
LED Spotlight	36
Lighting Accessories	38
Rolling Doors	44

Curving

Bring it all together with a few carefully placed curves. Stylmark is able to curve virtually all of our products to meet your radius requirements. Simply provide us with dimensions as indicated below and watch your design come to life!



Required Information:

- Orientation of part to be curved
- Radius (IR)
- Arc Length (S)
- Chord (c) or Included Angle (α)
- Straight Length (L)

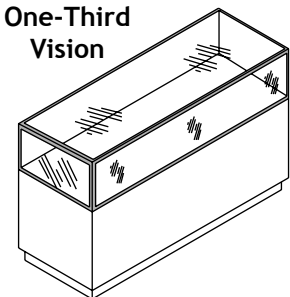
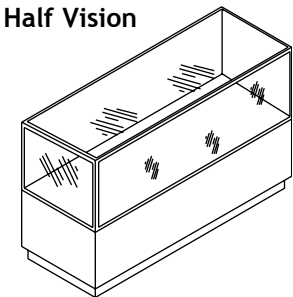
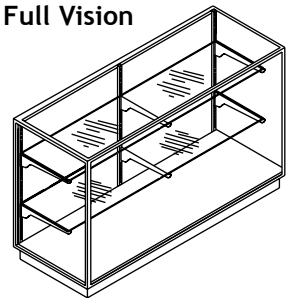
Notes:

- Provide AutoCAD® or SolidWorks drawing if available

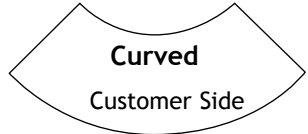
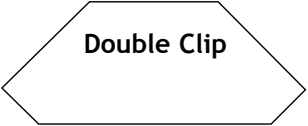
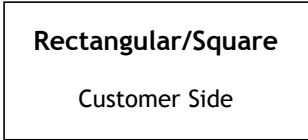
Showcase Configurations

Stylmark's showcases are available in a variety of view and shape configurations. In addition to those shown below, Stylmark provides vertical cases up to 1219.2mm tall as well as octagonal, L-shaped and curved corner showcases. We can accommodate most heights and widths and our in-house engineering staff is always available to customize a case to fit your needs.

View Variations



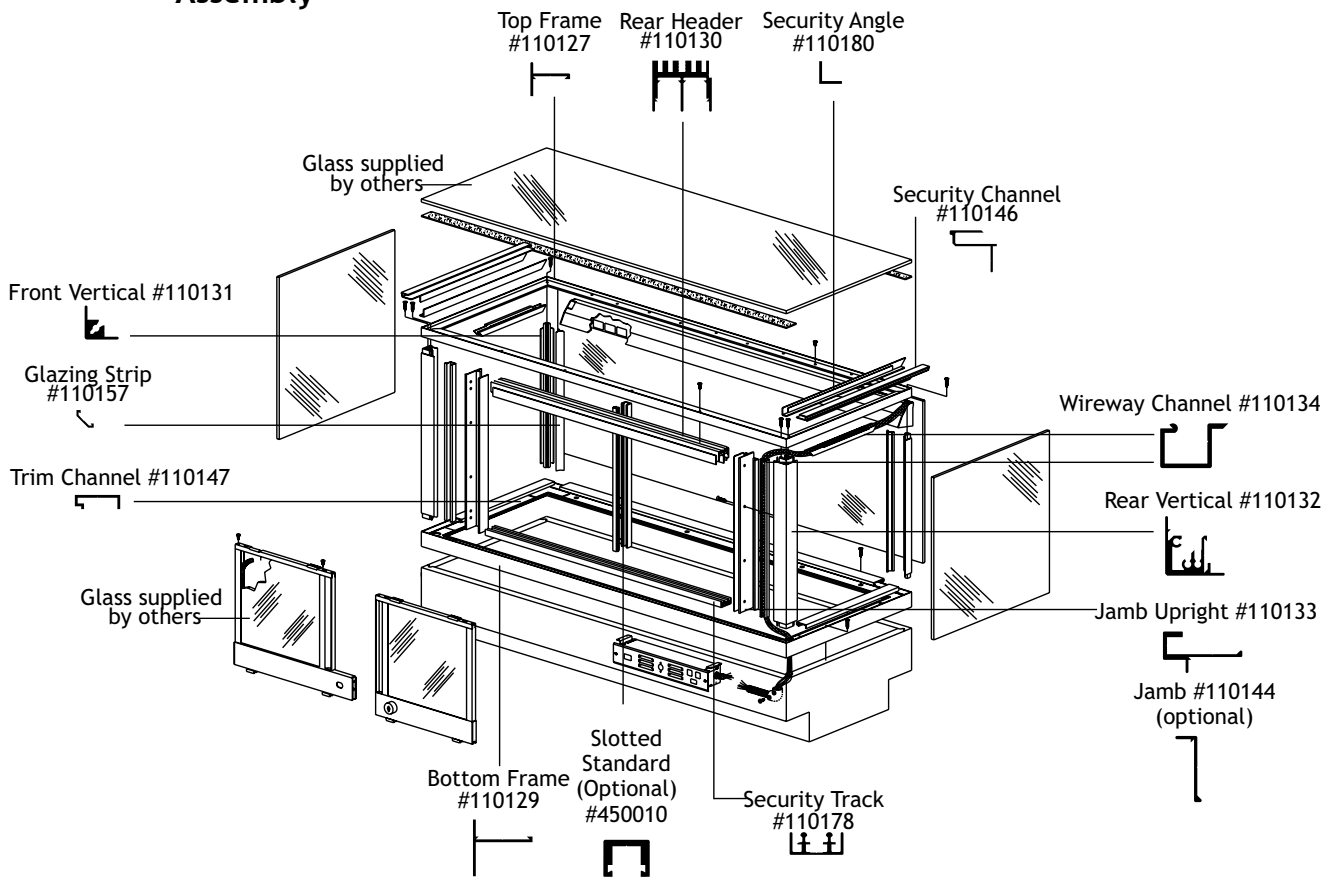
Shape Variations - Top View -



Aluminum Glass End Showcases

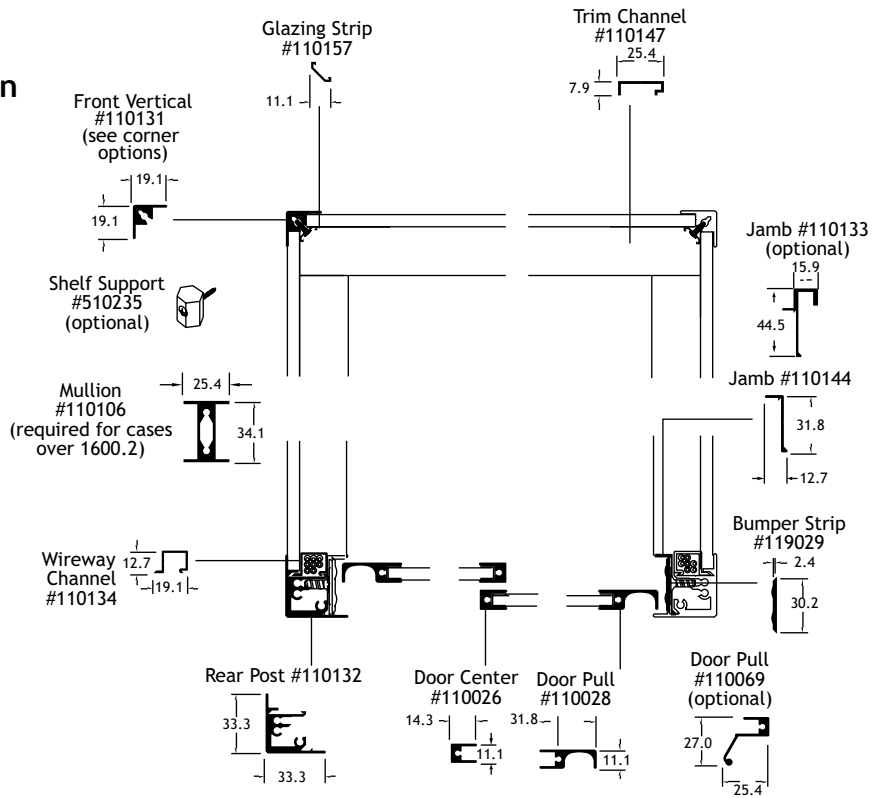
Creating sleek, contemporary displays is easy with Stylmark's glass end showcase products. Available in a variety of configurations, finishes and colors our cases are solid and secure due to top glass security channels and spot welded corner brackets. Glass end showcases are sold as knock-down, fabricated assemblies including frames, doors and reflectors.

Standard Showcase Assembly

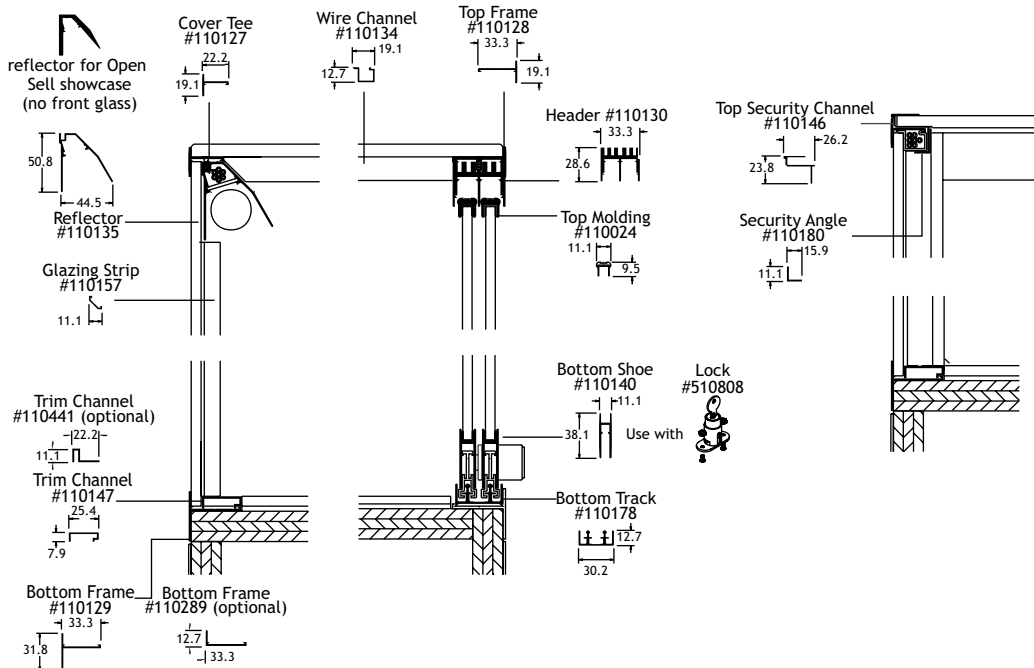


Aluminum Glass End Showcases

Showcase Components
Typical Horizontal Section



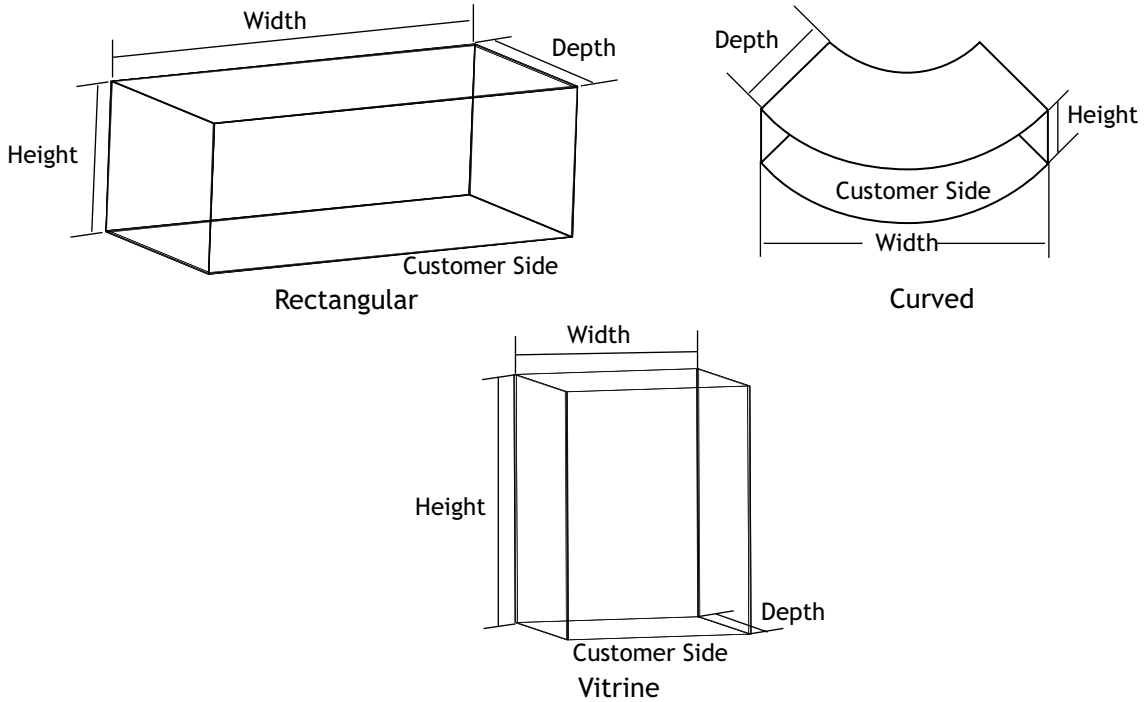
Showcase Components
Typical Vertical Section


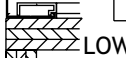





Notes: • Aluminum glass end showcase components are not sold individually.

Aluminum Glass End Showcases

Rectangular Showcases



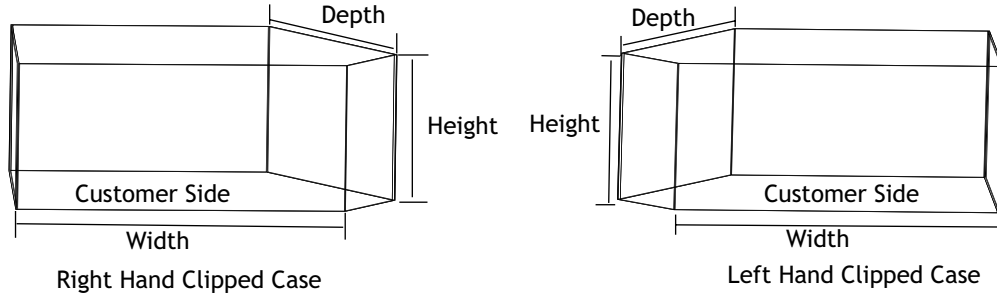
RECTANGULAR SHOWCASES					
MODEL #	REFLECTOR LOCATION	DOOR TYPE	BOTTOM PROFILE	JAMB	MULLION
			STANDARD  LOW PROFILE 	REGULAR  SLOTTED 	WITH 
					WITHOUT
710111	FRONT ONLY	ROLLING DOOR	STANDARD OR LOW	REG OR SLOTTED	WITH OR WITHOUT
710112	FRONT AND REAR	ROLLING DOOR	STANDARD OR LOW	REG OR SLOTTED	WITH OR WITHOUT
710113	REAR ONLY	ROLLING DOOR	STANDARD OR LOW	REG OR SLOTTED	WITH OR WITHOUT
710114	NO REFLECTOR	ROLLING DOOR	STANDARD OR LOW	REG OR SLOTTED	WITH OR WITHOUT
710115	FRONT ONLY	WOOD HINGED DOOR	STANDARD OR LOW	REGULAR ONLY	WITH MULLION
710314	NO REFLECTOR	GLASS HINGED DOOR	STANDARD OR LOW	N/A	WITHOUT MULLION

FOR LIGHTING OPTIONS, PLEASE REFER TO THE SHOWCASE LIGHTING SECTION OF THIS CATALOG.

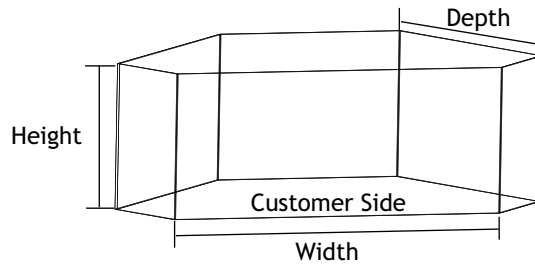
- Notes:**
- When ordering clipped, curved, or custom showcases, please provide shop drawings.
 - Aluminum glass end showcase components are not sold individually.
 - Indicate bottom trim channel for inside of case.

Aluminum Glass End Showcases

Single Clipped and Double Clipped Showcases



Right or Left Hand Clipped



Double Clipped

SINGLE AND DOUBLE CLIPPED SHOWCASES						
MODEL #	DESCRIPTION	REFLECTOR LOCATION	DOOR TYPE	BOTTOM PROFILE STANDARD	JAMB	MULLION
					REGULAR	WITH
					SLOTTED	WITHOUT
710121	SINGLE CLIPPED	FRONT	ROLLING DOOR	STANDARD	REG OR SLOTTED	WITHOUT MULLION
710131	DOUBLE CLIPPED	FRONT	ROLLING DOOR	STANDARD	REG OR SLOTTED	WITH OR WITHOUT
710135	DOUBLE CLIPPED	FRONT	WOOD HINGED DOOR	STANDARD	REGULAR ONLY	WITHOUT MULLION

FOR LIGHTING OPTIONS, PLEASE REFER TO THE SHOWCASE LIGHTING SECTION OF THIS CATALOG.

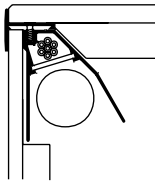
- Notes:**
- When ordering clipped, curved, or custom showcases, please provide shop drawings.
 - Aluminum glass end showcase components are not sold individually.
 - Indicate bottom trim channel for inside of case.

Aluminum Glass End Showcases

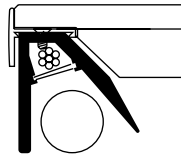
Showcase Options

Top Frame Options

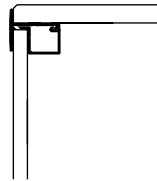
Choose from the options shown below or combine a front and rear reflector in one showcase.



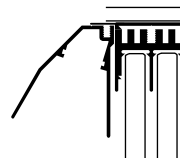
Top frame with front reflector and front glass



Top frame with front reflector and no front glass



Top frame with no front reflector and front glass



Rear header with rear reflector

Door Options

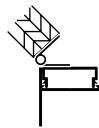
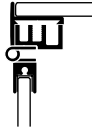
Fully framed security rolling doors are standard. Optional hinged doors can be ordered top, bottom or side hinged. Glass hinged door showcases typically have an extruded hinge. Piano hinge is an option. Glass and wood door panels are supplied by others.

Top or bottom hinged doors will allow for full width access to a 1/3 view case. Hinged doors with 6.4mm thick panels, will accept Kenstan K-13 locks.

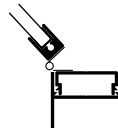
Wood Hinged Door - Top



Glass Hinged Door - Top



Wood Hinged Door - Bottom



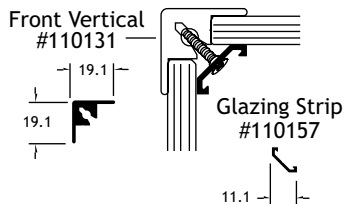
Glass Hinged Door - Bottom



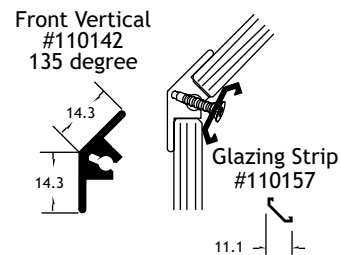
Glass Hinged Door - side

Front Corner Options

Front vertical #110131 is standard on all rectangular showcases and is used on clipped cases. Vertical #110142 is used only on clipped cases.



Shelf Support #510235 (optional)

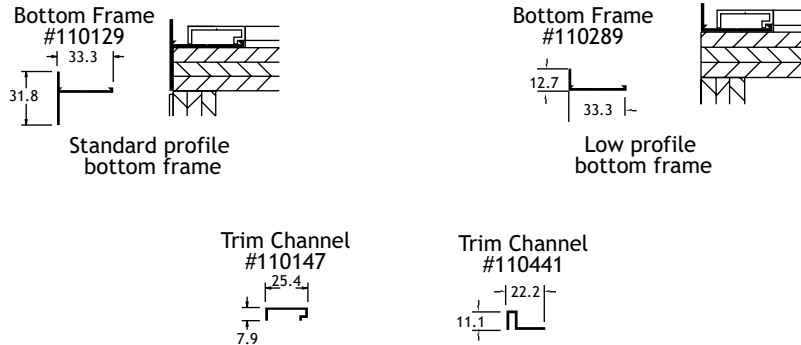


Aluminum Glass End Showcases

Showcase Options

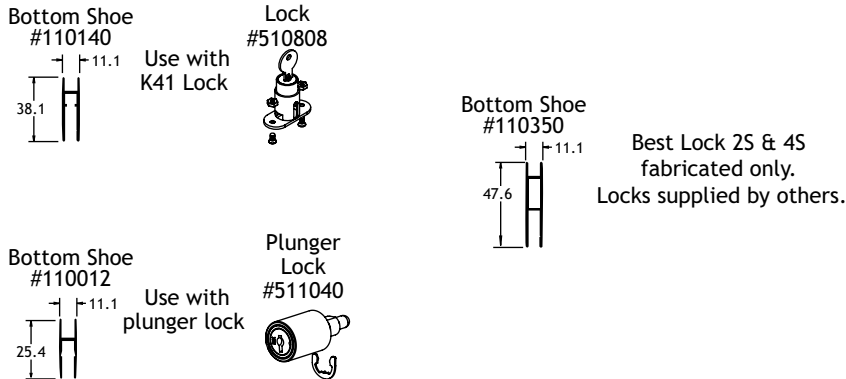
Bottom Frame Options

Choose from the options shown below for your showcase's bottom frame. Trim Channel #110147 can be used with either bottom frame profile. The Trim Channel covers the bottom frame and assists in installation of a pad.



Shoe and Lock Options

For standard aluminum glass end showcases with rolling doors you have the option of the shoe and lock combinations listed below.

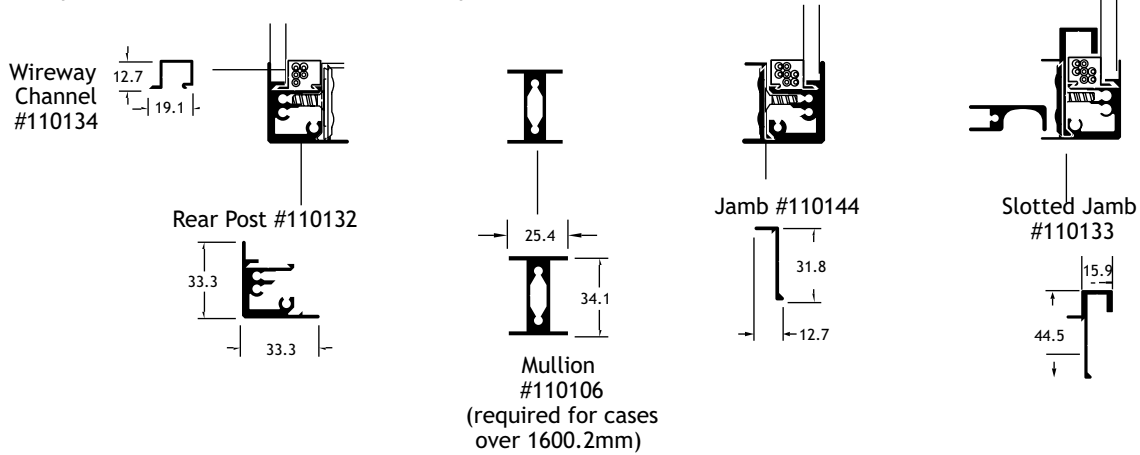


Aluminum Glass End Showcases

Showcase Options

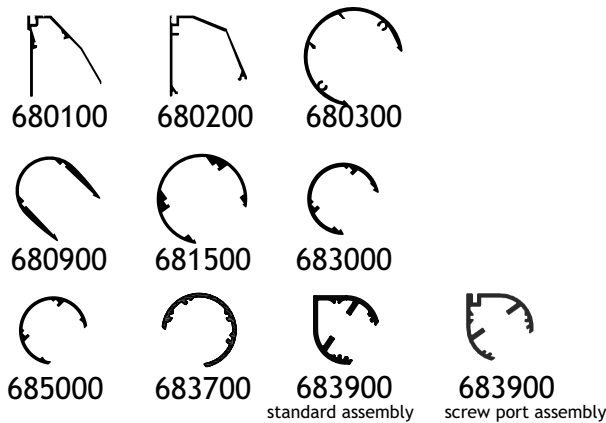
Rear Corner Options

Rear posts serve as a clear wireway downtube, door jamb and slotted standard for brackets. Full height door bumpers are included. Mullions are required on cases over 1600.2mm and serve as dividers for hinged doors.



Reflector Assemblies Options

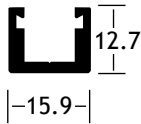
All reflectors for glass end showcases will be mounted with downtubes and use endcaps. Fluorescent & halogen reflector assemblies are shipped completely fabricated and assembled, lamps not included. LED Reflectors include LED lighting modules. See page 20 of this brochure for details on showcase lighting.



Aluminum Glass End Showcases

Hardware and Accessories

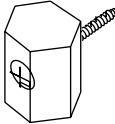
Part #450010
Slotted Standard



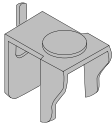
Part #450022
Rear Support
for #450010



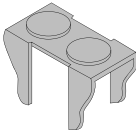
Part #510235
Shelf Support



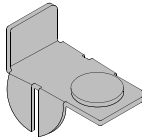
Part #550011
Shelf End Clip
for 550010



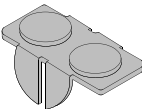
Part #550012
Shelf Center
Clip for 550010



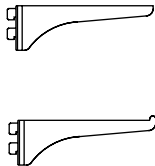
Part #550013
Glass End Clip
for 550006



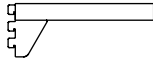
Part #550014
Glass Center Clip
for 550006



Part #550006
Aluminum Shelf Blade Bracket
with and without Lip
Available in
152.4, 203.2, 254.0, 304.8, 355.6, 406.4mm



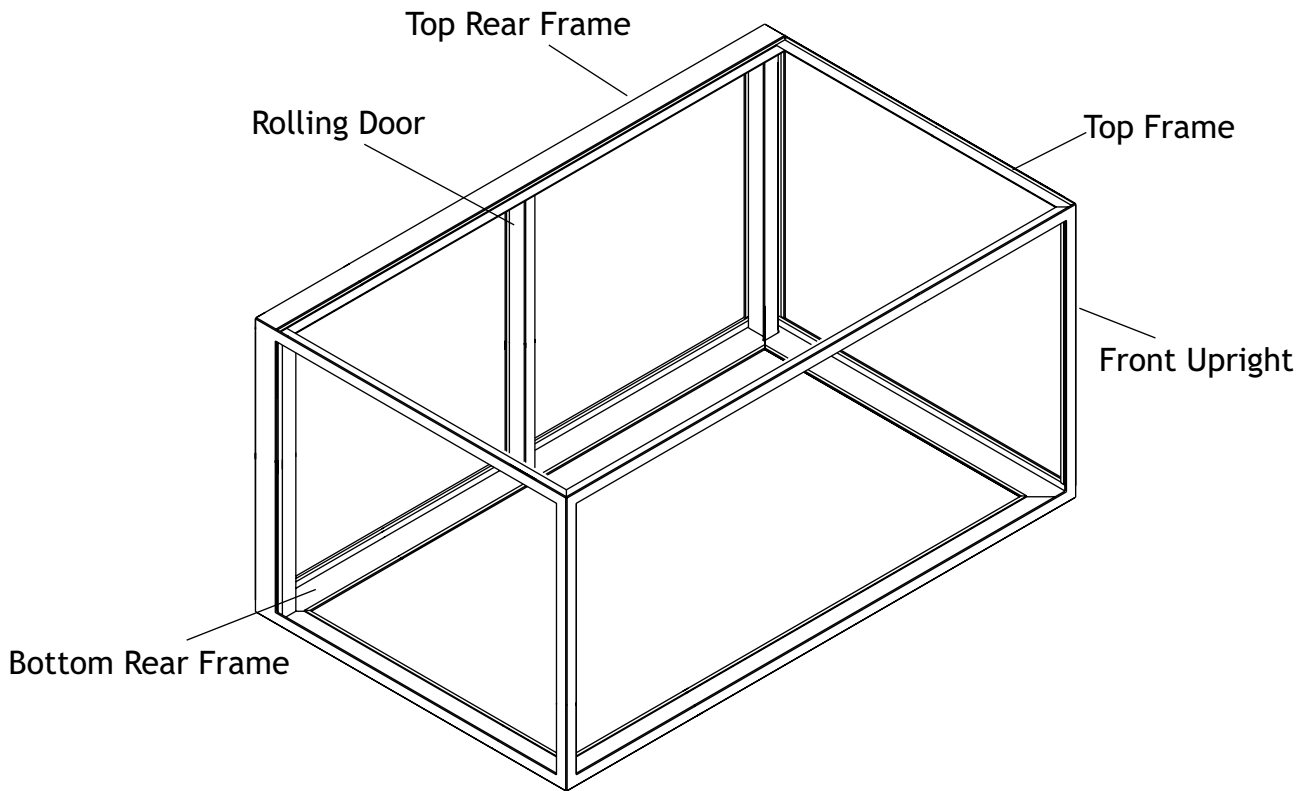
Part #550010
Aluminum Tubular Shelf Bracket
Available in
152.4, 203.2, 254.0, 304.8, 355.6, 406.4mm



Notes: • Part #550006 is available only in brushed finish

Stainless Steel Showcases

Stainless steel showcases provide the ultimate in aesthetics and security. Stylmark’s steel frames are brushed or polished to a flawless finish and include seamless joints to enhance the overall look. Fully fabricated cases are constructed of welded 18 gauge stainless steel and include rolling doors and an optional integrated reflector.



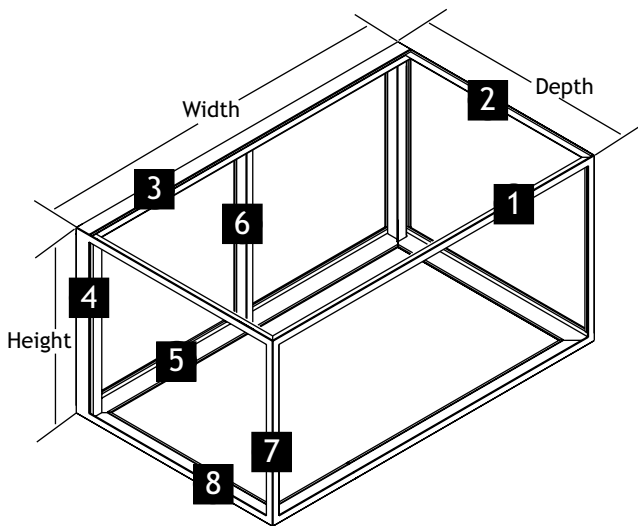
ORDERING STAINLESS STEEL SHOWCASES	
REFLECTOR LOCATION	FRONT, REAR, BOTH FRONT AND REAR OR NONE
DOOR TYPE	ALUMINUM OR STEEL ROLLING DOORS OR HINGED WITH PANELS
LOCK TYPE	KENSTAN K-41 OR BEST 4573 (SUPPLIED BY OTHERS)
SLOTTED STANDARDS	YES OR NO
BRACKETS	YES OR NO (AVAILABLE IN 152.4, 203.2, 254.0, 304.8, 355.6 AND 406.4mm)
TOP GLASS SECURITY	YES OR NO

Stainless Steel Showcases

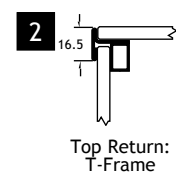
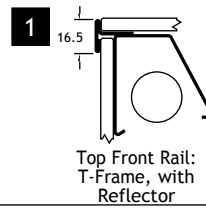
Horizontal Showcase

T-FRAME STAINLESS STEEL SHOWCASES	
MODEL #	DESCRIPTION
718110	RECTANGULAR/SQUARE T-FRAME
718120	DOUBLE CLIPPED T-FRAME
718130	RIGHT HAND CLIPPED T-FRAME
718140	LEFT HAND CLIPPED T-FRAME
718110R	CURVED T-FRAME

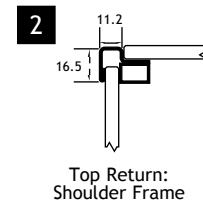
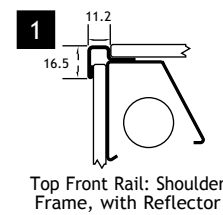
SHOULDER FRAME STAINLESS STEEL SHOWCASES	
MODEL #	DESCRIPTION
718210	RECTANGULAR/SQUARE SHOULDER FRAME
718220	DOUBLE CLIPPED SHOULDER FRAME
718230	RIGHT HAND CLIPPED SHOULDER FRAME
718240	LEFT HAND CLIPPED SHOULDER FRAME
718210R	CURVED SHOULDER FRAME



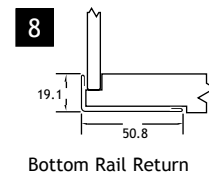
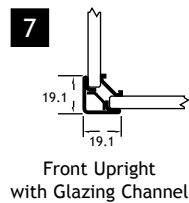
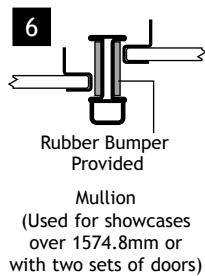
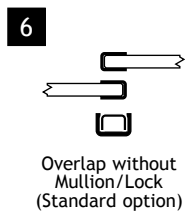
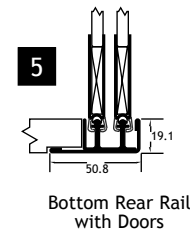
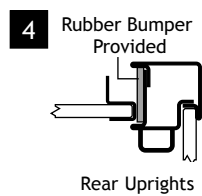
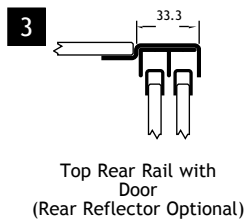
T-Frame Options



Shoulder Frame Options



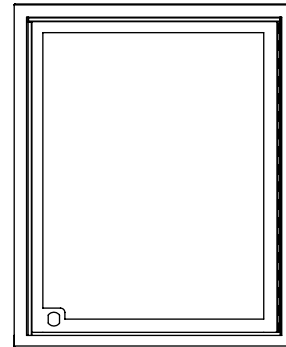
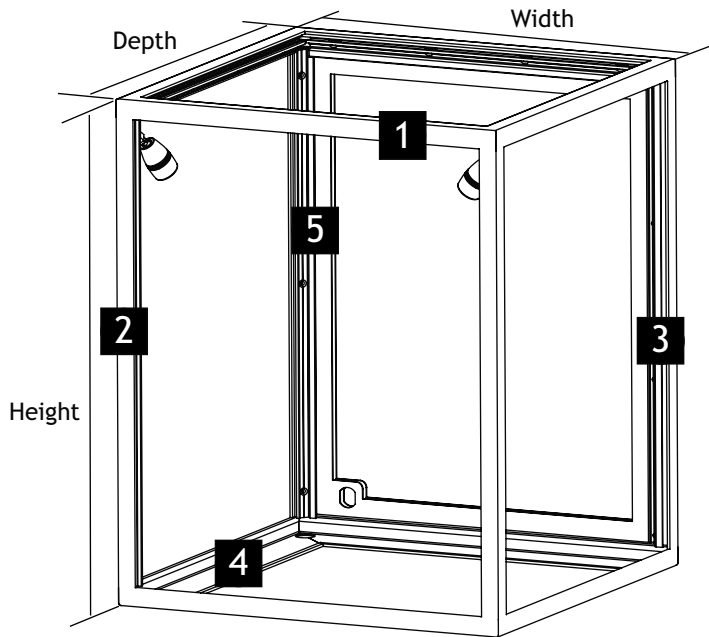
Standard Options



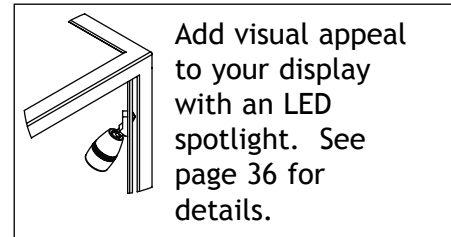
- Notes:**
- When ordering clipped, curved, or custom showcases, please provide shop drawings.
 - Stylmark can provide glass opening sizes upon request.

Stainless Steel Showcases

Vertical Showcase

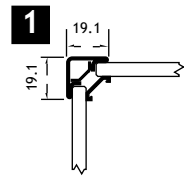


Rear of showcase

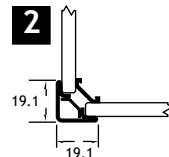


Add visual appeal to your display with an LED spotlight. See page 36 for details.

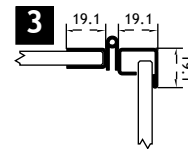
Standard Options



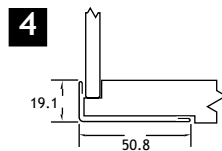
Top Upright with Glazing Channel



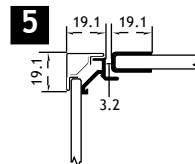
Front Upright with Glazing Channel



Rear Upright with Piano Hinge and Door Frame



Bottom Rail Return



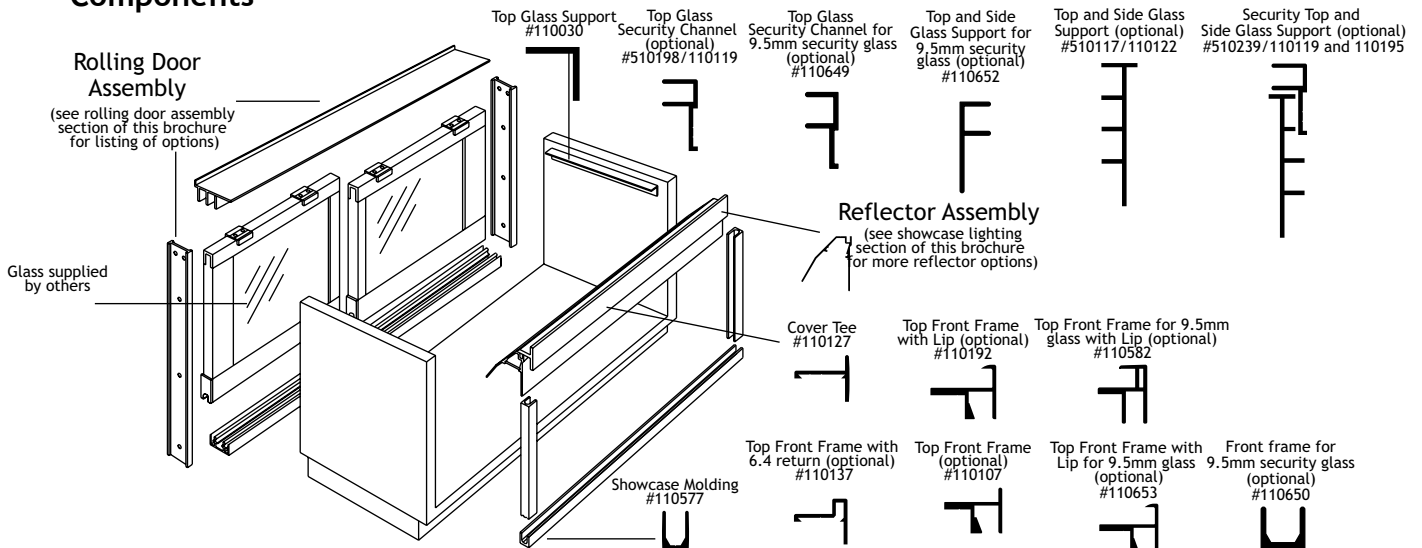
Rear Upright with Door Frame and Glazing Channel

Notes: • Stylmark can provide glass opening sizes upon request.

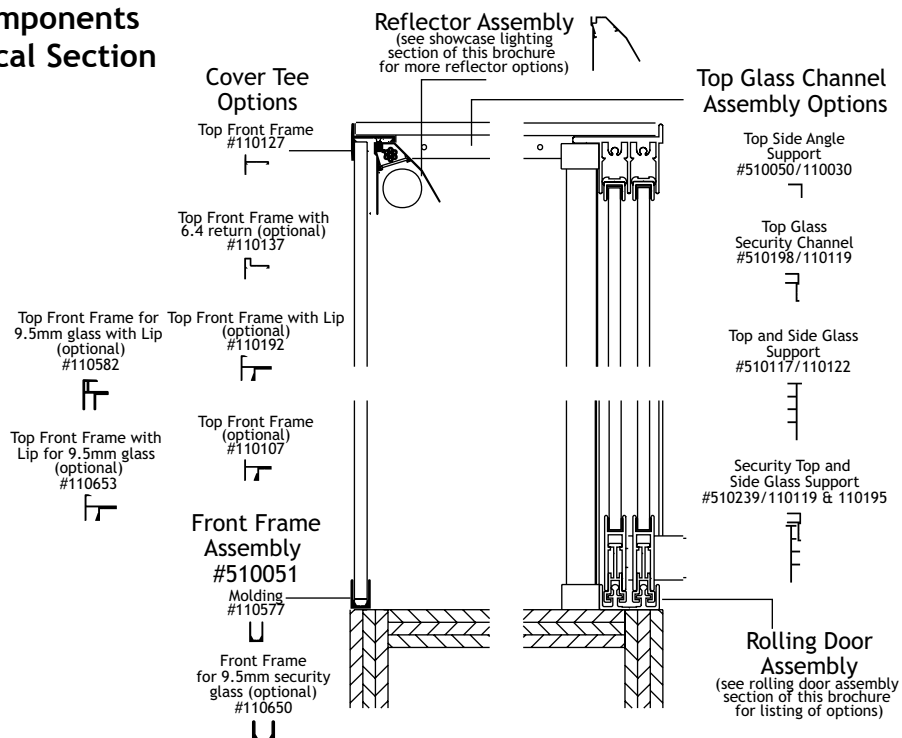
Aluminum Wood End Showcases

The classic beauty of Stylmark's anodized aluminum extrusions provides a subtle accent to finely crafted woods and laminates. Components are first fabricated and then finished and anodized. This assures that all reflectors, cover tees, glass channels, door hardware, brackets and standards match perfectly. Wood end showcase components are sold fabricated or in stock lengths for field fabrication.

Typical Showcase Components

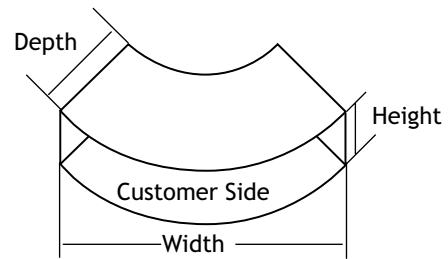
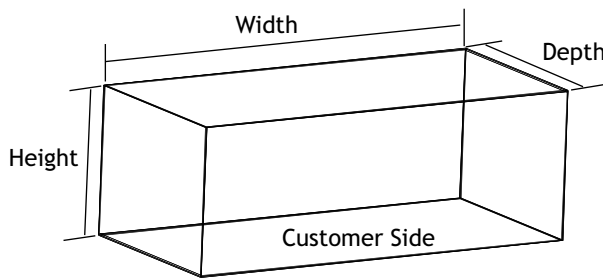


Showcase Components Typical Vertical Section

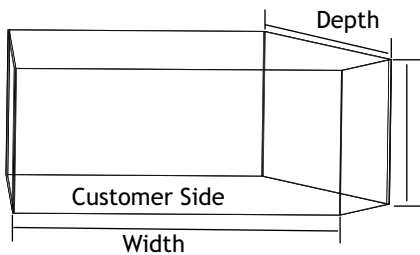


Aluminum Wood End Showcases

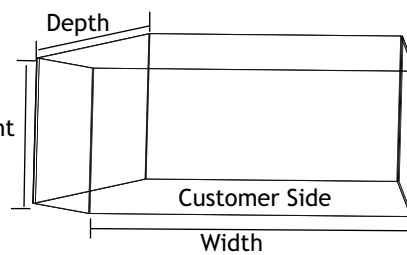
ORDERING WOOD END SHOWCASES			
REFLECTOR ASSEMBLY	ROLLING DOOR ASSEMBLY	FRONT GLASS FRAME ASSEMBLY	TOP GLASS CHANNEL ASSEMBLY
SEE PAGE 20	SEE PAGE 44	WIDTH x HEIGHT	DEPTH



Rectangular or Curved

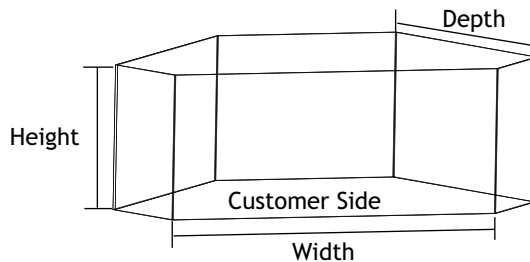


LH Clipped



RH Clipped

Right or Left Hand Clipped



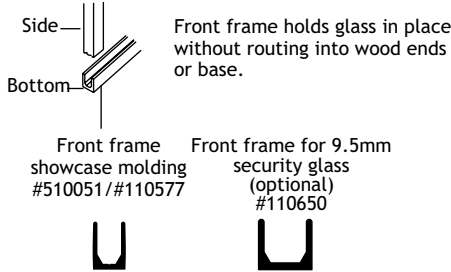
Double Clipped

- Notes:**
- When ordering clipped, curved, or custom showcases, please provide shop drawings.
 - Slotted standards and brackets are ordered separately (see page 19).

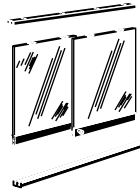
Aluminum Wood End Showcases

Choose from the options below to customize a showcase to your exact specifications.

Front Frame Options

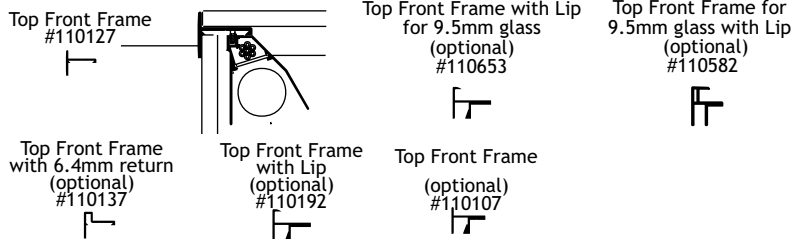


Rolling Door Assemblies



See the rolling door section of this brochure for full configuration details.

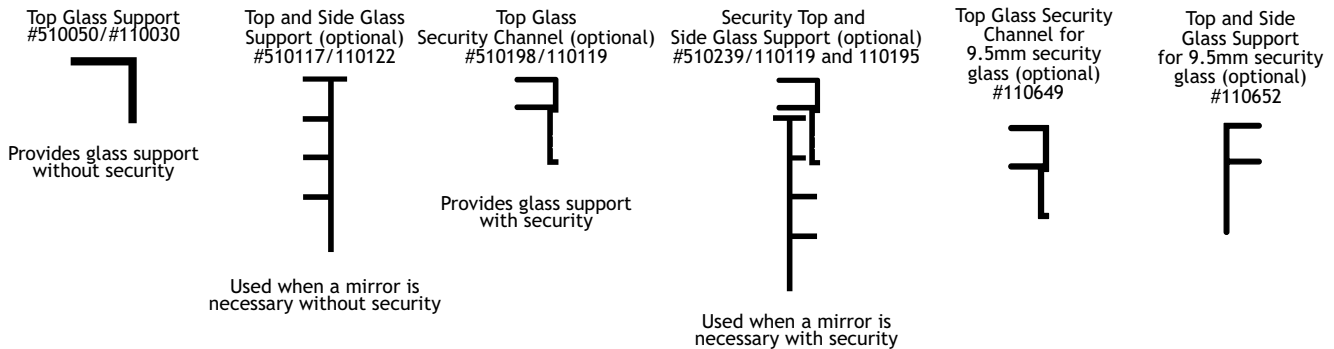
Cover Tee Options



*Some reflectors come with an integrated cover tee - see assemblies below.

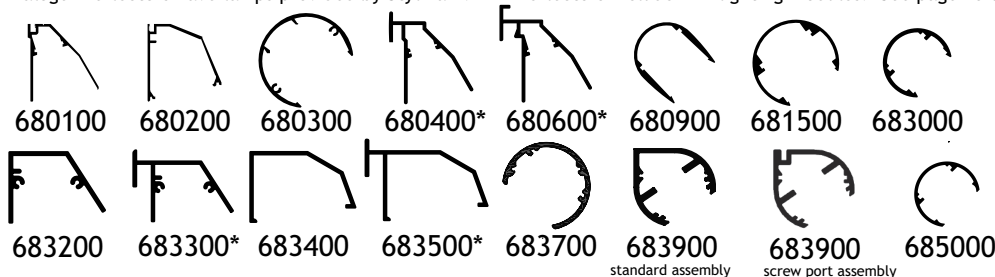
Top and Side Glass Channel Assemblies

Top and side glass supports require no routing of wood ends or base to install. Glass supports give you the option to provide security.



Reflector Assemblies

Flourescent & halogen reflector assemblies are shipped completely fabricated and assembled, flourescent lamps not included. Halogen reflectors have lamps provided by Stylmark. LED reflectors include LED lighting modules. See page 20 of this brochure for lighting details.

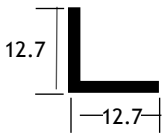


Notes: *Indicates integrated cover tee reflectors.

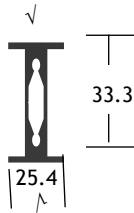
Aluminum Wood End Showcases

Hardware and Accessories

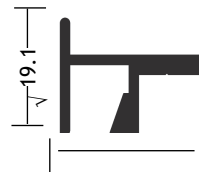
Part #110030
12.7mm Angle



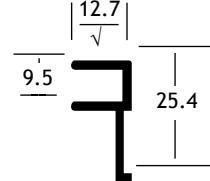
Part #110106
Mullion



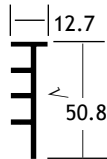
Part #110107
Front Frame



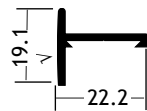
Part #110119
Security Channel



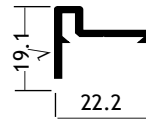
Part #110122
Top and Side
Glass Support



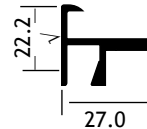
Part #110127
Top Front Frame



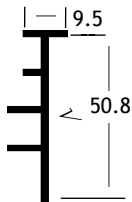
Part #110137
Cover T with
6.4mm Return



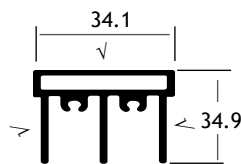
Part #110192
Front Frame
with Lip #110653 for
9.5mm glass



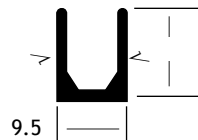
Part #110195
Security Top and
Side Glass Support



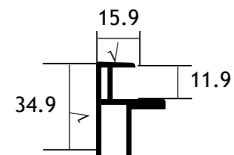
Part #110523
Backframe Header
without Top Glass



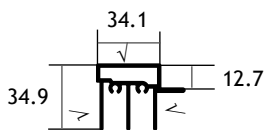
Part #110577
Showcase Molding
without holes
(with holes #410099)



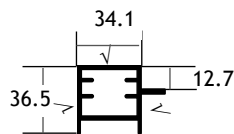
Part #110582
Showcase Rail



Part #110640
Backframe Header
without Top Glass
for 12.7mm glass



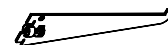
Part #110657
Backframe Vertical



Part #119029
Vinyl Bumper



Part #232006



Notes: • With the exception of reflector assemblies, wood end showcase components can be ordered in stock lengths for customer fabrication.

√ = finished surface

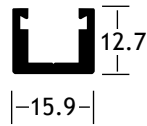
Aluminum Wood End Showcases

Hardware and Accessories

Part #232023
Slotted Steel Standard,
914.4mm
(2438.4mm #232028)



Part #450010
Slotted Standard



Part #450020
Heavy Duty
Slotted Standard



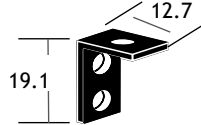
Part #450021
Rear Support for
#450020



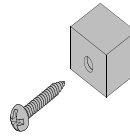
Part #450022
Rear Support
for #450010



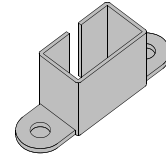
Part #510089
Mounting Bracket
Assembly for
110107/110192



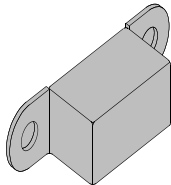
Part #550007
Foot and Cap
Assembly for
Aluminum Standard



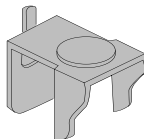
Part #550008
Chrome Bottom Cap
Assembly for Steel
Standard



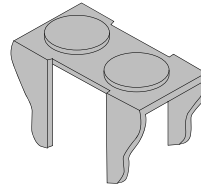
Part #550009
Chrome Top Cap
Assembly for
Steel Standard



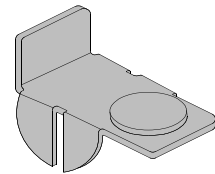
Part #550011
Shelf End Clip
for 550010



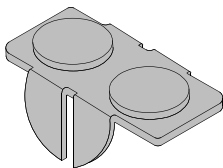
Part #550012
Shelf Center
Clip for 550010



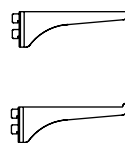
Part #550013
Glass End Clip
for 550006



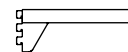
Part #550014
Glass Center Clip
for 550006



Part #550006
Aluminum Shelf Blade Bracket
with and without lip
Available in
152.4, 203.2, 254.0, 304.8, 355.6, 406.4mm


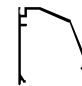







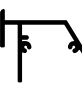















Part #550010
Aluminum Tubular Shelf Bracket
Available in
152.4, 203.2, 254.0, 304.8, 355.6, 406.4mm



Light Reflectors

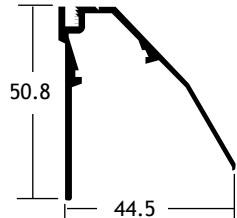
Stylmark’s showcase lighting products are created with design flexibility in mind. Our product line accommodates a variety of mounting configurations and lighting options from traditional light sources to new marketplace trends, like LED. Reflector profiles are streamlined to maximize viewable display space. All of our showcase lighting is component recognized by UL or ETL to US and Canadian standards.

ORDERING SHOWCASE REFLECTORS	
CHOOSE A PROFILE	 680100  680200  680300  680400  680600  680900  681500  683000  683200  683300  683400  683500  683700  683900 <small>(standard assembly)</small>  683900 <small>(screw port assembly)</small>  685000
CHOOSE A COVER TEE	 110107*  110127  110137  110192*  110582  110653*  110800* <small>(FOR 680100 & 680200 REFLECTORS ONLY)</small> <small>(*FOR 683900 REFLECTORS ONLY)</small>
CHOOSE A MOUNTING SYSTEM	FLEX CONDUIT WITH MOUNT BRACKET OR RIGID EXPOSED DOWNTUBE WITH REFLECTOR END CAPS
DIMENSIONS	LENGTH OF REFLECTOR
REFLECTOR LOCATION	FRONT, REAR OR FRONT AND REAR

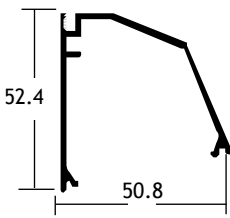
- Notes:**
- Grounded receptacles, part #230028, are sold separately (see page 42).
 - Stylmark does not provide fluorescent or octron light bulbs.

Light Reflectors

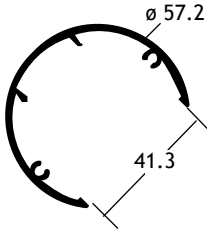
Reflector Profiles



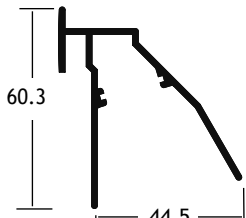
680100 series



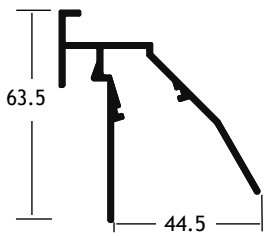
680200 series



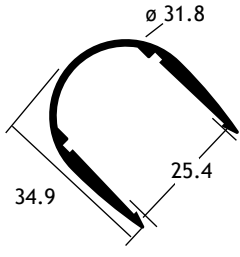
680300 series



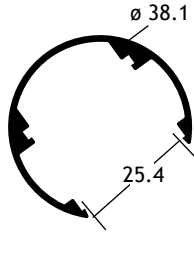
680400 series



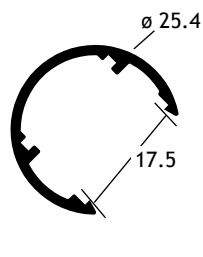
680600 series



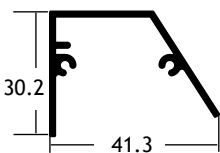
680900 series



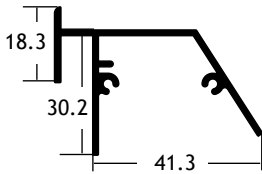
681500 series



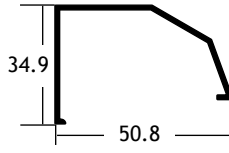
683000 series



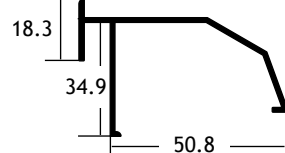
683200 series



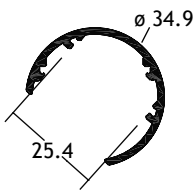
683300 series



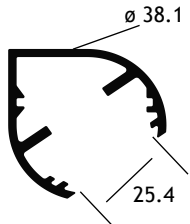
683400 series



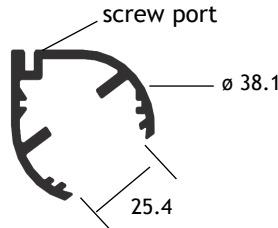
683500 series



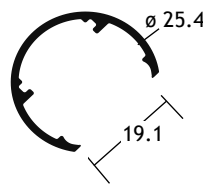
683700 series



683900 series
(standard assembly)


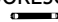
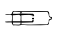
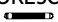
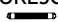








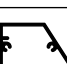
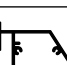
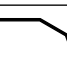
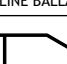






683900 series
(screw port assembly)



685000 series

Light Reflectors

		*T5-T8 STANDARD FLUORESCENT 	T8 OCTRON BI-PIN FLUORESCENT 	HALOGEN XENON 	T2 SUBMINIATURE FLUORESCENT 	T5 MINIATURE BI-PIN FLUORESCENT 	LED LIGHTING
 680100 SERIES	ASSEMBLY #680101	ASSEMBLY #680102	ASSEMBLY #680103			ASSEMBLY #680105	
 680200 SERIES	ASSEMBLY #680201	ASSEMBLY #680202	ASSEMBLY #680203			ASSEMBLY #680205	
 680300 SERIES	ASSEMBLY #680301	ASSEMBLY #680302	ASSEMBLY #680303			ASSEMBLY #680305	
 680400 SERIES	ASSEMBLY #680401	ASSEMBLY #680402	ASSEMBLY #680403				
 680600 SERIES	ASSEMBLY #680601	ASSEMBLY #680602	ASSEMBLY #680603				
 680900 SERIES	OPTION		ASSEMBLY #680903	ASSEMBLY #680906	ASSEMBLY #680905		
 681500 SERIES	OPTION		ASSEMBLY #681503	ASSEMBLY #681506	ASSEMBLY #681505		
 683000 SERIES				ASSEMBLY #683006			
 683200 SERIES						ASSEMBLY #683205	
 683300 SERIES						ASSEMBLY #683305	
 683400 SERIES <small>INLINE BALLAST AVAILABLE</small>						ASSEMBLY #683405	
 683500 SERIES <small>INLINE BALLAST AVAILABLE</small>						ASSEMBLY #683505	
 683700 SERIES							ASSEMBLY #683708
 683900 SERIES <small>STANDARD ASSEMBLY</small>	OPTION				OPTION	OPTION	ASSEMBLY #683908
 683900 SERIES <small>SCREW PORT ASSEMBLY</small>	OPTION				OPTION	OPTION	ASSEMBLY #683908
 685000 SERIES							ASSEMBLY #685008

Notes: * T5 preheat type lamp / T6 fluorescent slimline / T8 medium bi-pin

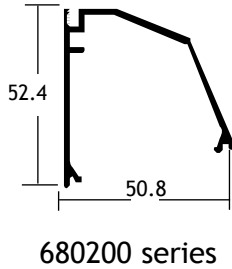
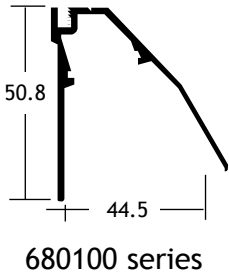
Light Reflectors

Light Source Specifications

LAMP TYPE	LAMP DESIGNATION	RATED WATTS	NOMINAL LAMP LENGTH	COLOR TEMP K	COLOR RENDERING INDEX	RATED LUMENS	RATED LAMP LIFE
T2 SUBMINIATURE BI-PIN	FM6T2	6	228.6	3000/4100	80	330	8,000 HRS
	FM8T2	8	330.2	3000/4100	80	540	8,000 HRS
	FM11T2	11	431.8	3000/4100	80	750	8,000 HRS
	FM13T2	13	533.4	3000/4100	80	930	8,000 HRS
T5 FLUORESCENT MINIATURE BI-PIN	F4T6	4	152.4	4200/6500	62-76	135/115	6,000 HRS
	F6T5	6	228.6	30/42/6500	52/62/76	275/270/260	7,500 HRS
	F8T5	8	304.8	30/42/6500	52/62/76	400/390/350	7,500 HRS
T5 FLUORESCENT MINIATURE BI-PIN STANDARD OUTPUT	F14T5	14	609.6	30/35/4100	82	1350	20,000 HRS
	F21T5	21	914.4	30/35/4100	82	2100	20,000 HRS
	F28T5	28	1219.2	30/35/4100	82	2900	20,000 HRS
	F35T5	35	1524.0	30/35/4100	82	3600	20,000 HRS
T5 FLUORESCENT MINIATURE BI-PIN HIGH OUTPUT	F24/HO	24	609.6	30/35/4100	82	2000	20,000 HRS
	F39/HO	39	914.4	30/35/4100	82	3500	20,000 HRS
	F55/HO	55	1219.2	30/35/4100	82	5000	20,000 HRS
	F80/HO	80	1524.0	30/35/4100	82	7000	20,000 HRS
T8 FLUORESCENT MEDIUM BI-PIN	F14T8	14	381.0	4200/6500	62/76	685/575	7,500 HRS
	F15T8	15	457.2	30/42/6500	52/62/76	845/825/700	7,500 HRS
	F18T8	18	711.2	4200	62	1190	7,500 HRS
	F30T8	30	914.4	30/42/6500	70/62/76	2150/2180/1850	7,500 HRS
T8 FLUORESCENT SLIMLINE	F72T8	38	1828.8	3000/4200	52/62	3100/3050	7,500 HRS
	F96T8	51	2438.4	4200/6500	62/76	4000/3550	7,500 HRS
T6 FLUORESCENT SLIMLINE	F42T6	25	1066.8	30/35/4200	52/70/62	1750	7,500 HRS
	F64T6	38	1625.6	30/35/4200	52/70/62	2800	7,500 HRS
T8 OCTRON FLUORESCENT 700 SERIES MEDIUM BI-PIN	FO17T8	17	609.6	30/35/4100	75/85	1350	20,000 HRS
	FO25T8	25	914.4	30/35/4100	75/85	2150	20,000 HRS
	FO32T8	32	1219.2	30/35/4100	75/86	2950	20,000 HRS
	FO40T8	40	1524.0	30/35/4100	75/85	3775	20,000 HRS
T8 OCTRON FLUORESCENT 900 SERIES MEDIUM BI-PIN	FO17T8	17	609.6	5000/6500	95	850/1300	20,000 HRS
	FO25T8	25	914.4	5000/6500	85/90	1250/2000	20,000 HRS
	FO32T8	32	1219.2	5000/6500	85/90	1800/2850	20,000 HRS
	FO40T8	40	1524.0	5000/6500	85/90	2200/3650	20,000 HRS
12V HALOGEN	T3 BULB, G4 BASE	5	31.8	2800	95+	60	2,000 HRS
	T3 BULB, G4 BASE	10	31.8	2800	95+	140	2,000HRS
	T3 BULB, G4 BASE	20	31.8	2800	95+	320	2,000 HRS
12V XENON	T3 BULB, G4 BASE	20	31.8	2800	95+	250	10,000 HRS
LED	Premium (24Vdc)	9.0W/ft	304.8/152.4	ANSI SW35/SW40/SW50	75+	680 lm/ft	50,000+ HRS
	Deluxe (24 Vdc)	4.6W/ft	304.8/152.4		75+	350 lm/ft	50,000+ HRS

Light Reflectors

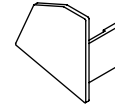
Reflector Assemblies



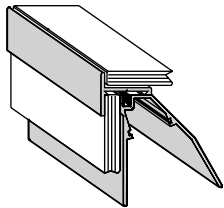
#510061
Endcap Assembly for
680100 Series Assemblies



#510322
Endcap Assembly for
680200 Series Assemblies



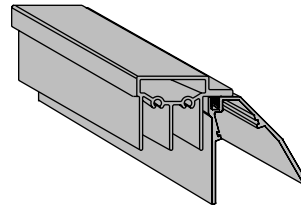
Front Reflector/Cover Tee Options



Cover Tee
#110137



Cover Tee
#110192

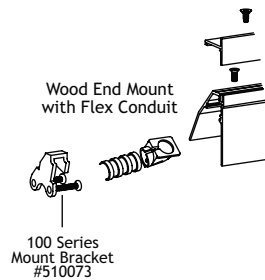
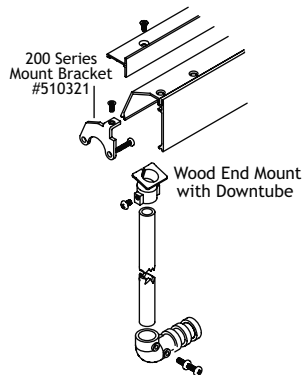


Showcase Channel
#110102

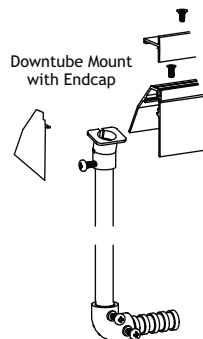


Showcase Channel
#110071

Mounting Options for Aluminum Wood End Showcases

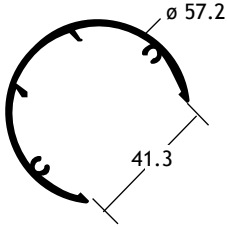


Mounting Options for Aluminum Glass End Showcases



Light Reflectors

Reflector Assemblies



680300 series

#310318
Endcap for 680300 Series
Assemblies

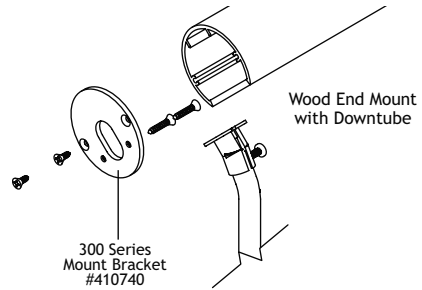
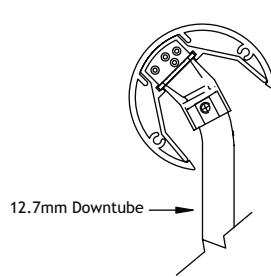


#380087
Reflector Support
Stem for 680300 Series
Assemblies



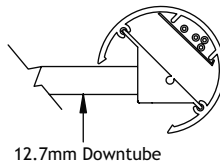
Mounting Options for Aluminum Wood End Showcases

Bent downtube for
Fluorescent Lighting.

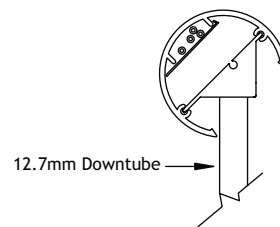


Horizontal Mount Option

Straight downtube for
fluorescent and
halogen lighting

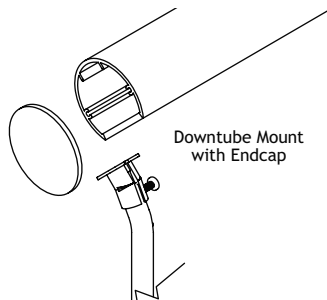


Vertical Mount Option



Mounting Options for Aluminum Glass End Showcases

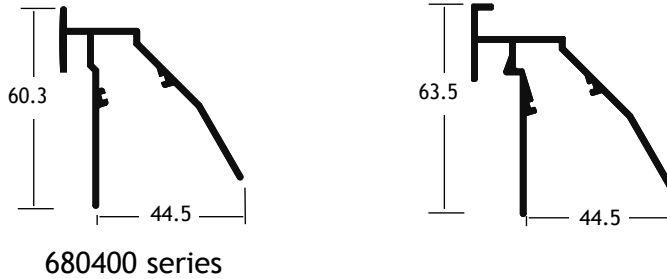
Mount Options for Fluorescent Lighting



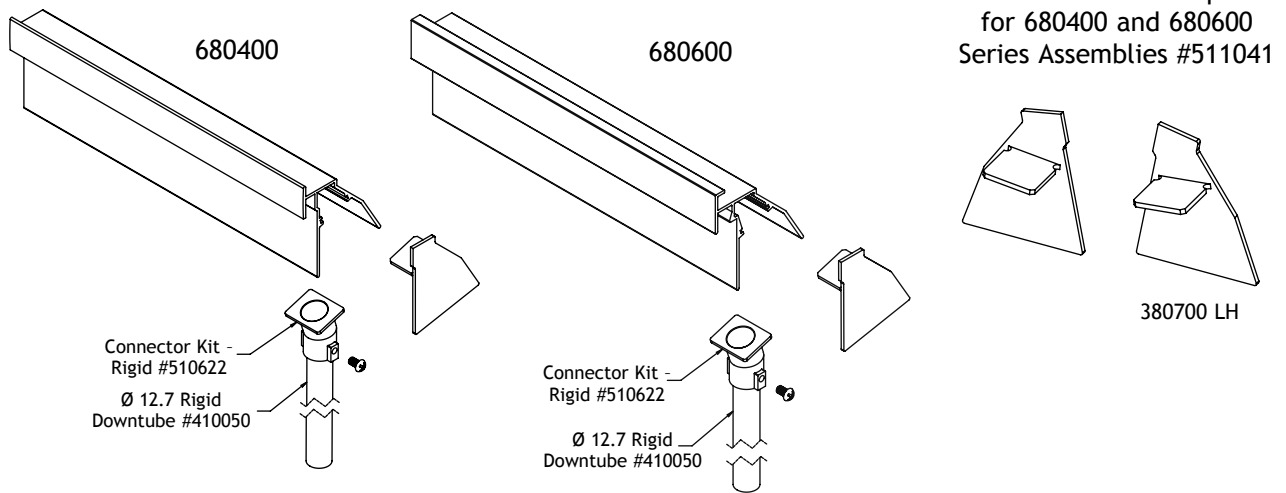
Horizontal and vertical
mount options for
fluorescent and halogen
are also available.

Light Reflectors

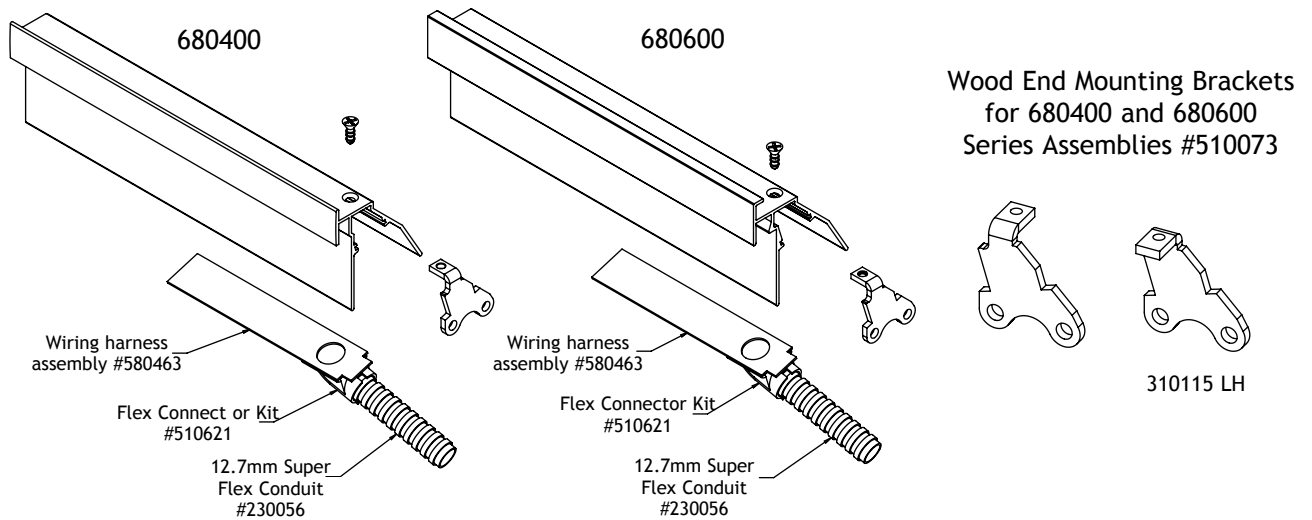
Reflector Assemblies



Mounting Options for Aluminum Glass End Showcases

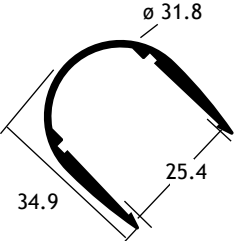


Mounting Options for Wood End Showcases



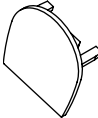
Light Reflectors

Reflector Assemblies

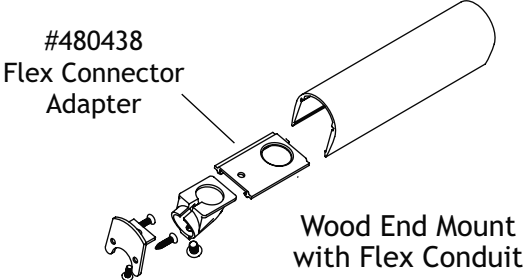


68090 series

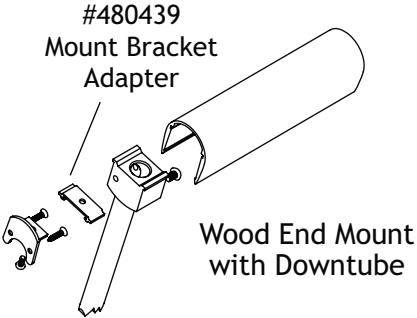
#380232
Endcap for 68090 Series
Assemblies



Mounting Options for Aluminum Wood End Showcases

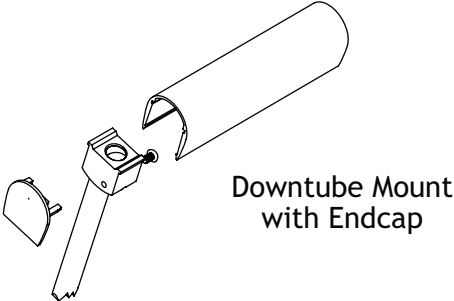


Wood End Mount
with Flex Conduit



Wood End Mount
with Downtube

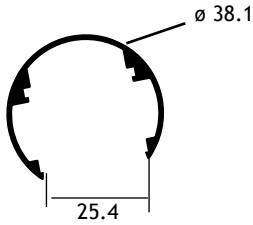
Mounting Options for Aluminum Glass End Showcases



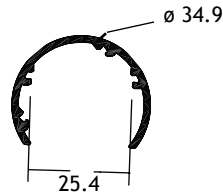
Downtube Mount
with Endcap

Light Reflectors

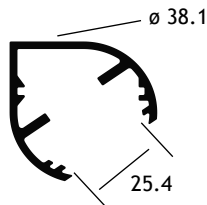
Reflector Assemblies



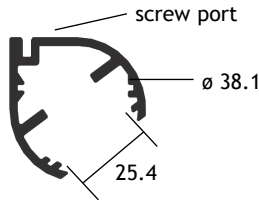
681500 series



683700 series



683900 series
(standard assembly)



683900 series
(screw port assembly)

#480939
Endcap for 683700
Series Assemblies



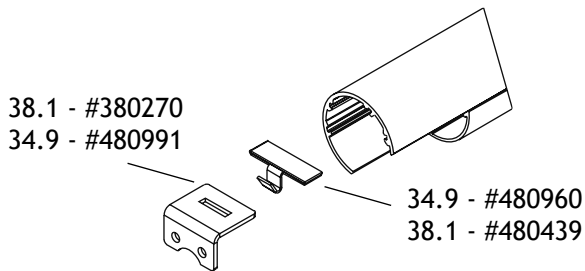
#380269



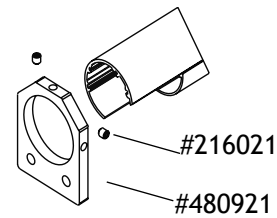
#481057 LH and 481056 RH
Endcaps for 683900 Series
Assemblies



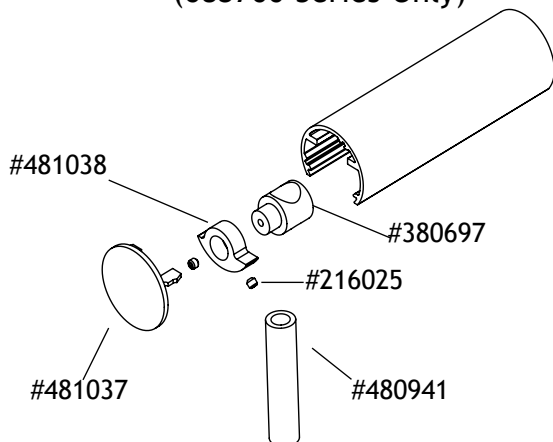
Mounting Options for Aluminum Wood End Showcases



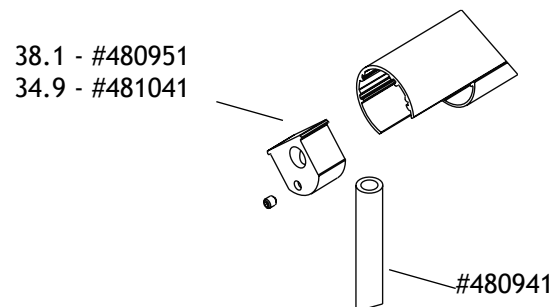
Rotating Mounting Bracket Option (34.9mm Round only)



Rotating Downtube Option (683700 Series Only)

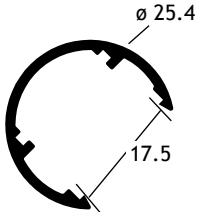


Mounting Options for Aluminum Glass End Showcases



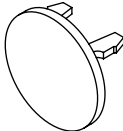
Light Reflectors

Reflector Assemblies (T2 Fluorescent Only)

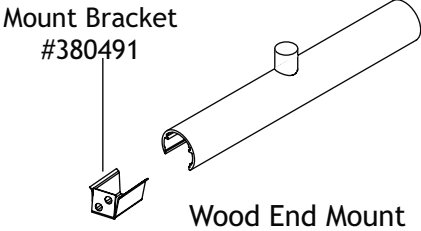
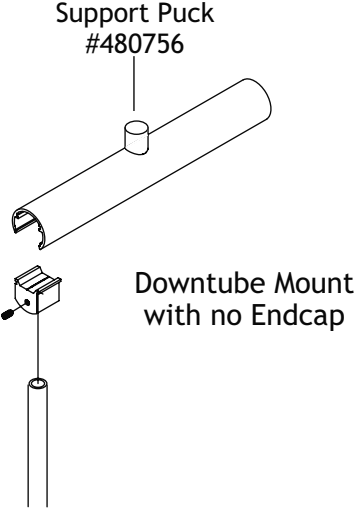


683000 series

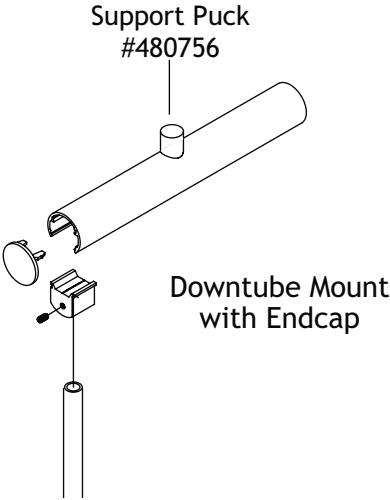
#480768
Endcap for 683000 Series
Assemblies



Mounting Options for Aluminum Wood End Showcases

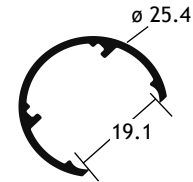


Mounting Options for Aluminum Glass End Showcases



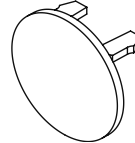
Light Reflectors

Reflector Assemblies (LED only)

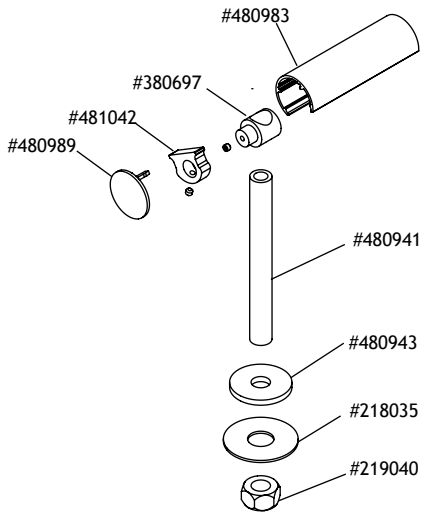


685000 series

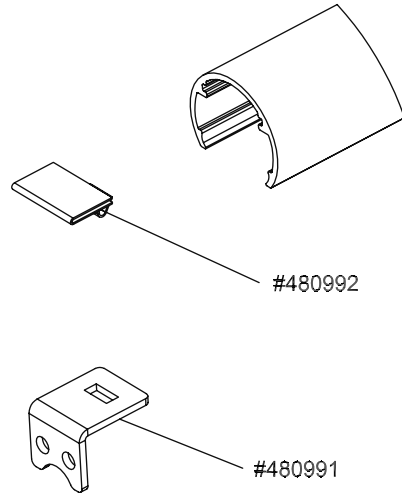
#480989
Endcap for 685000 Series
Assemblies



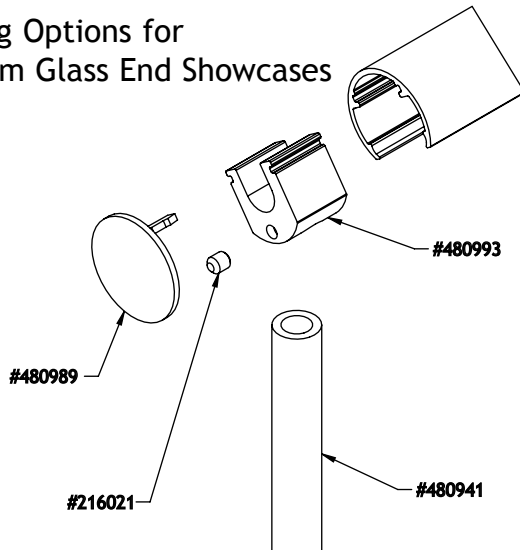
Rotating Downtube Option



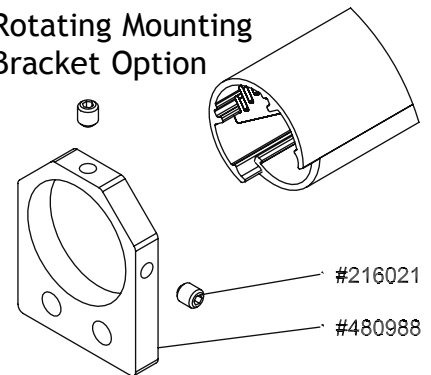
Mounting Options for Aluminum Wood End Showcases



Mounting Options for Aluminum Glass End Showcases

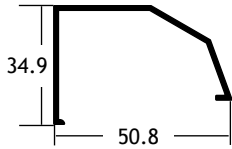


Rotating Mounting Bracket Option

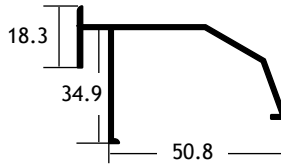


Light Reflectors

Reflector Assemblies

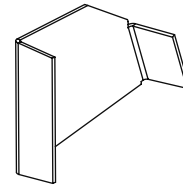


683400 series

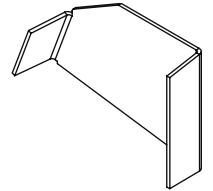


683500 series

Glass End Endcap for
683400 and 683500 Series
Assemblies



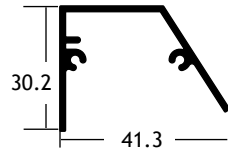
380643 LH



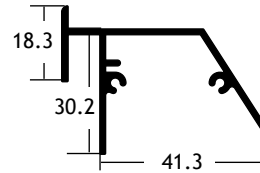
380644 RH

Light Reflectors

Reflector Assemblies

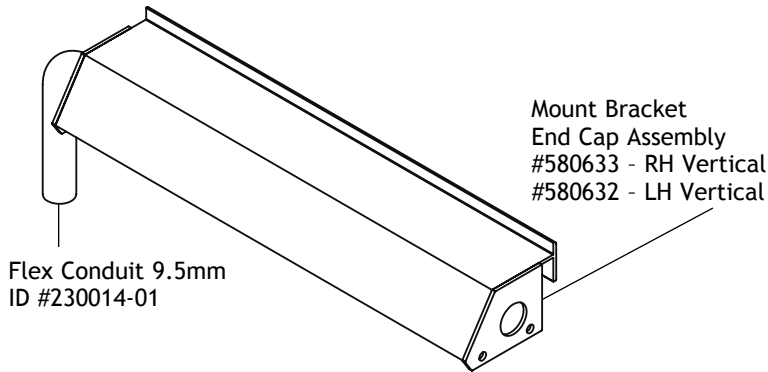


683200 series

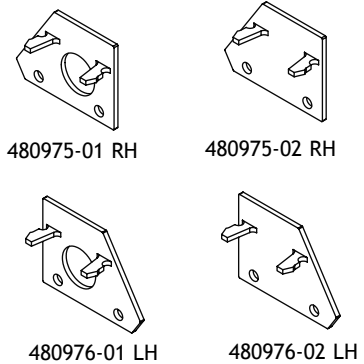


683300 series

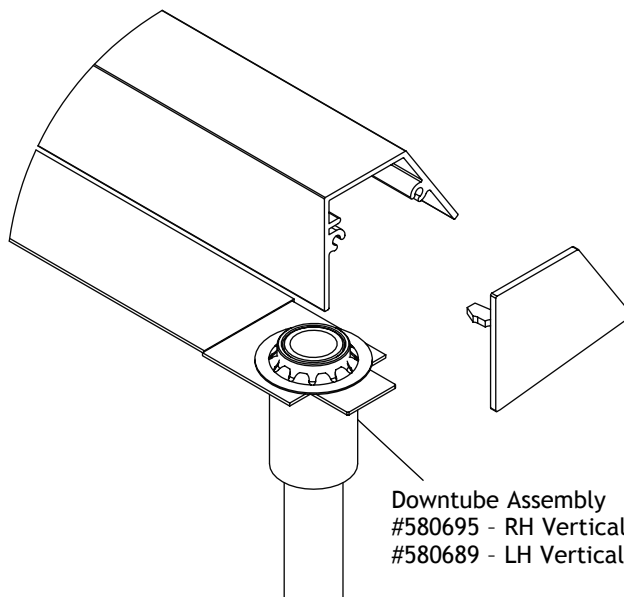
Mounting Option for Aluminum Wood End Showcases



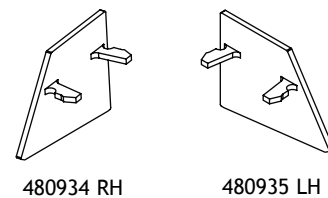
Wood End Endcap for 683200 and 683300 Series Assemblies



Mounting Option for Aluminum Glass End Showcase



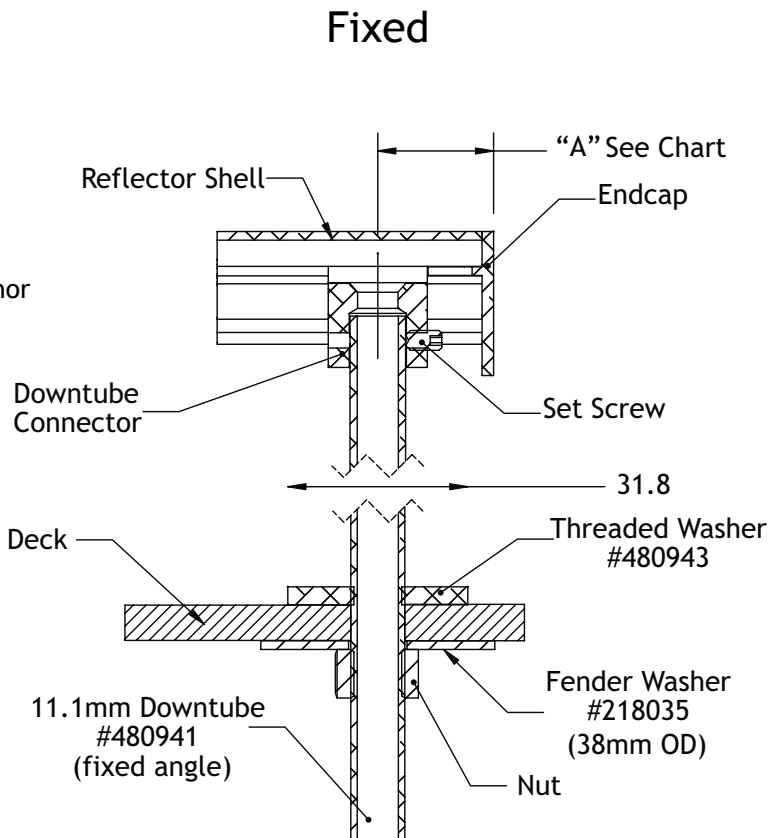
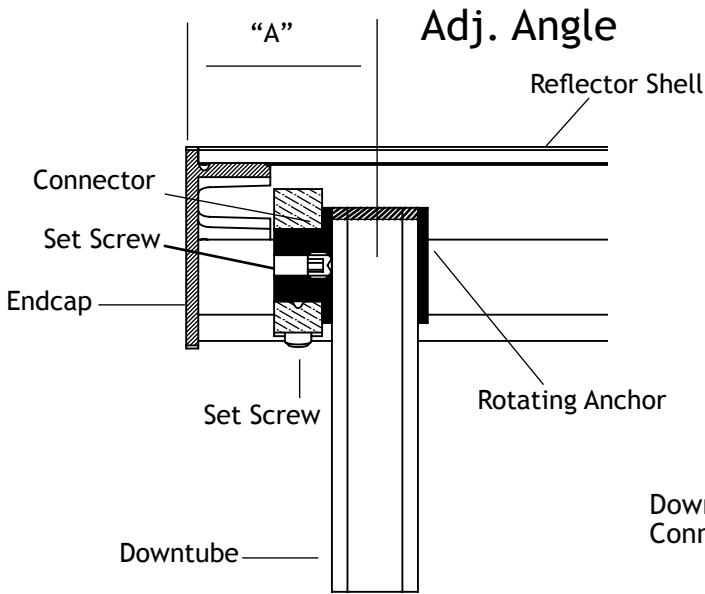
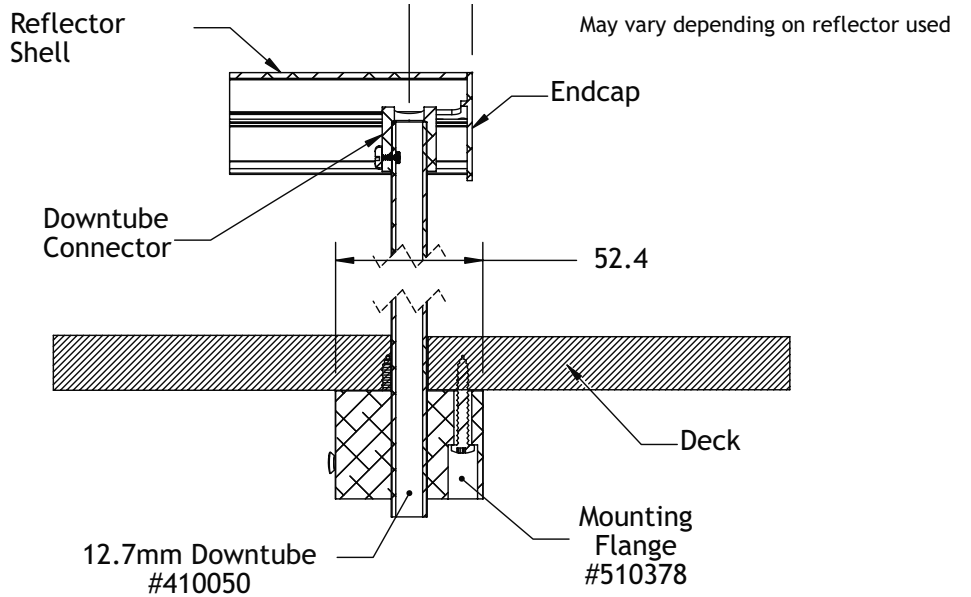
Glass End Endcap for 683200 and 683300 Series Assemblies



Light Reflectors

Installation of Downtube
for 680100 Series, 680200 Series,
680300 Series, 680900 Series,
681500 Series, 683100 Series,
683700 and 683900 Series

680100 and 680200 Series do not
require mounting flange.

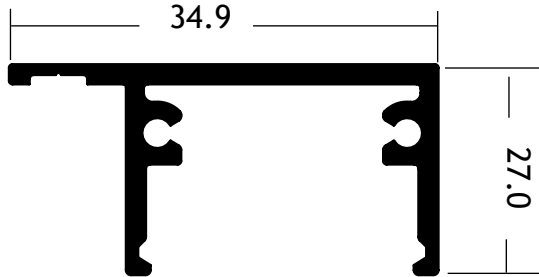


Installation of Downtube

	Adj. Angle	Fixed
Series	"A"	"A"
683000	N/A	19.8
683700	19.1	22.2
683900	N/A	22.2
681500	N/A	22.2
685000	17.5	19.8

Light Reflectors

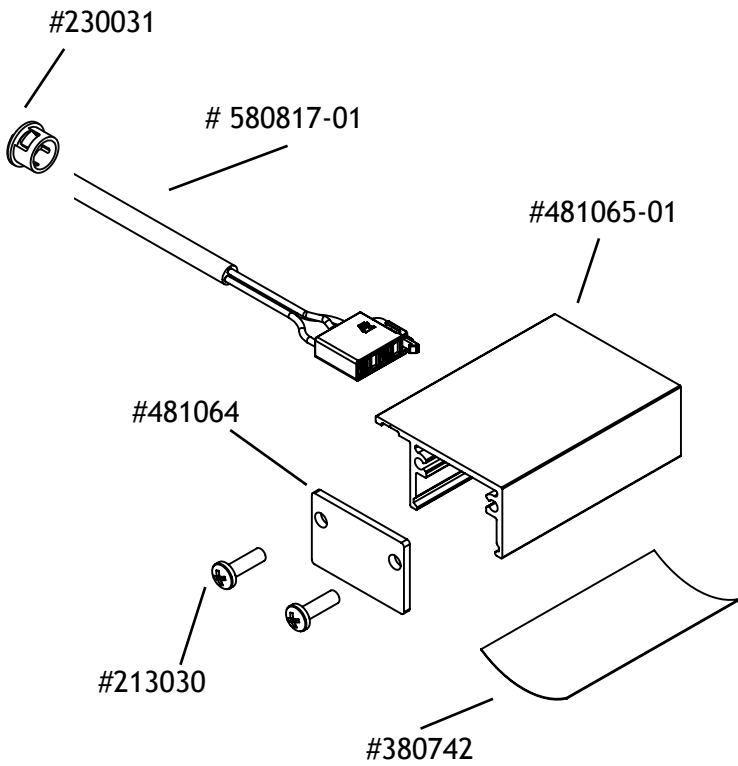
Reflector Assemblies



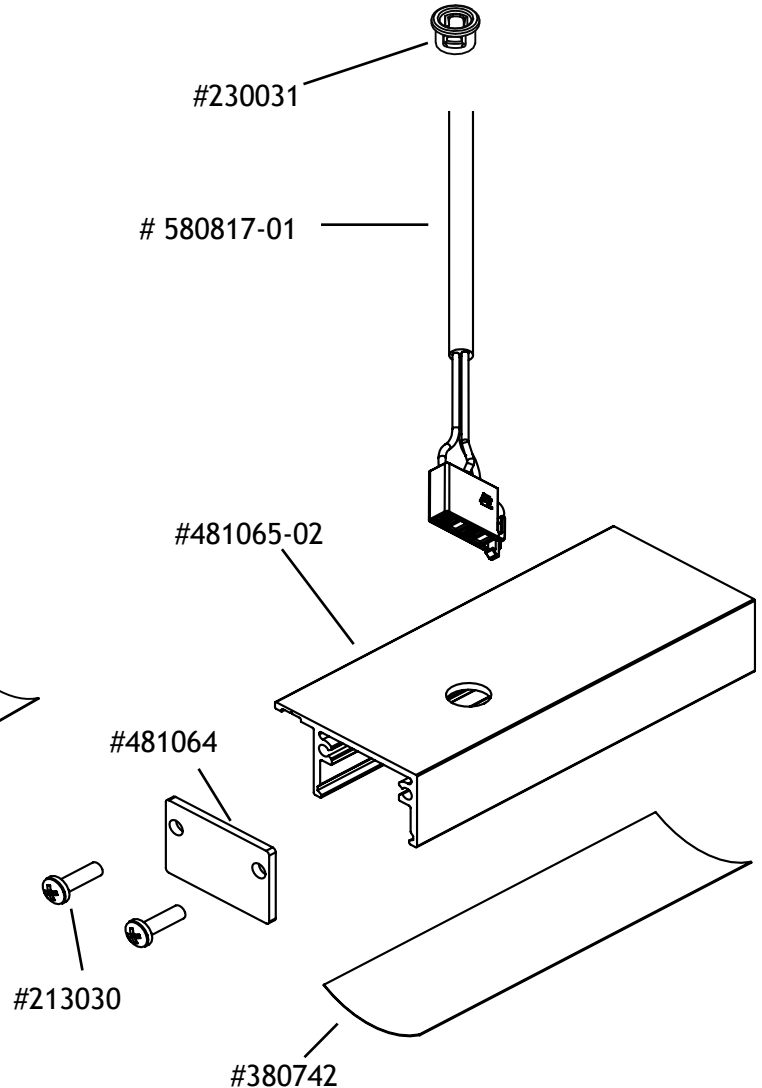
684800 series

Stylmark Low Profile LED Reflector is an efficient installation option for down lighting. Utilizing the same technology as Stylmark's showcase reflectors, the 684808 can be mounted into a routed channel, a recessed opening or flush under cabinets or shelves.

Side Mount



Flush Mount



LED Downlight

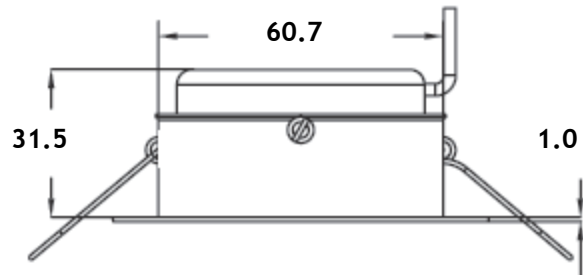
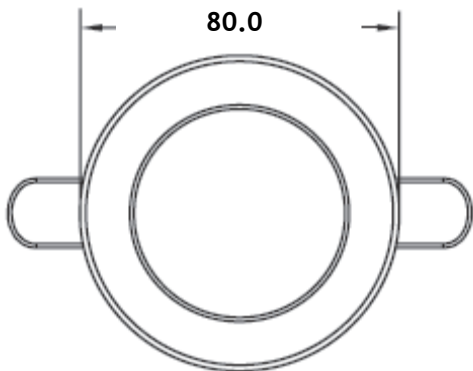
The Stylmark LED Downlight is designed for commercial displays that require a long life, low heat alternative to halogen downlights. The Stylmark LED Downlight can be mounted in a variety of display applications including shelving, vitrine displays and showcases. Although the LED Downlight individually have their own part number, Stylmark sells the downlight as part of an ETL Listed system. The listed system (Model# 580794) includes a power supply and up to seven LED downlights.



Ordering Instructions:
Specify the finish and CCT of the LED downlight

Model #	Finish	Color Temperature
230544-02-01	Polished Gold	3500K
230544-03-01	Polished Chrome	4100K
230544-02-02	Polished Gold	3500K
230544-03-02	Polished Chrome	4100K

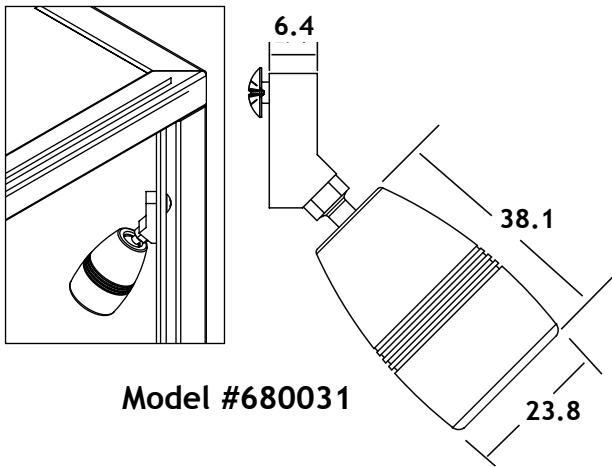
Specify how many LED downlights will be powered from a single power supply in your installation. Reminder, a single power supply can power up to seven LED downlights.



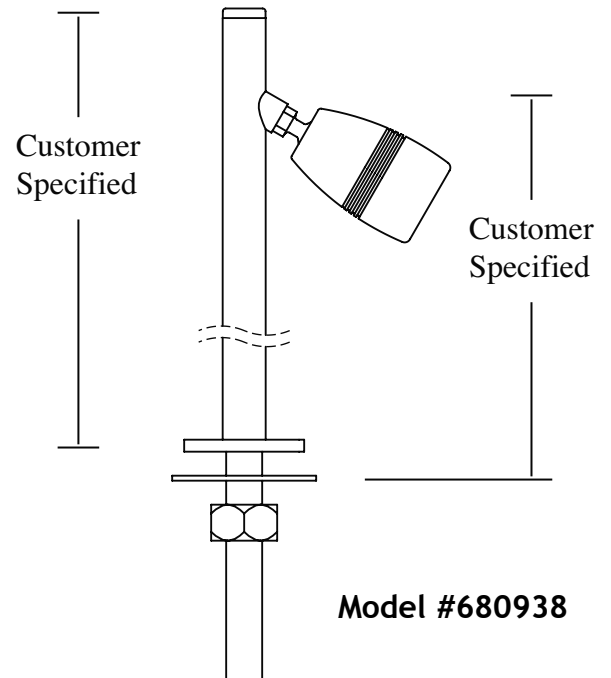
LED Spotlights

Sleek profile LED spotlights by Stylmark provide more streamlined design than traditional halogen spotlights allowing customers to see the merchandise, not the lighting. Crisp, focused light is directed onto the product by our articulating spotlight. Stylmark's spotlight is available in four standard finishes or we can provide a custom color to match your needs. The spotlight is sold as an integrated part of our showcase frame, stem-mounted, or as a stand-alone unit in a number of applications.

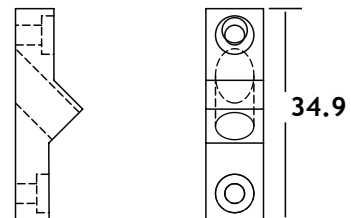
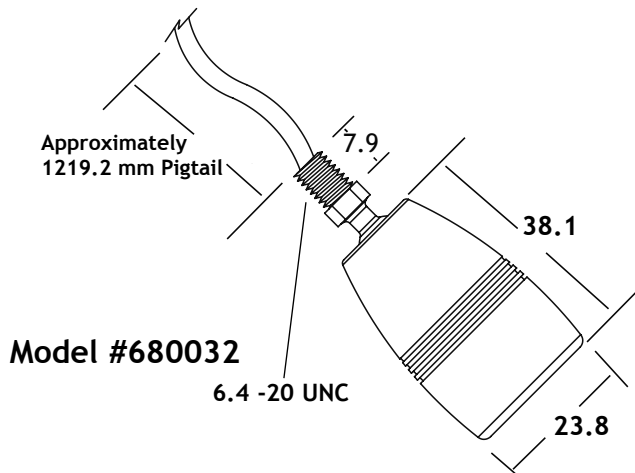
Integrated Showcase Spotlight



Stem-Mounted Spotlight

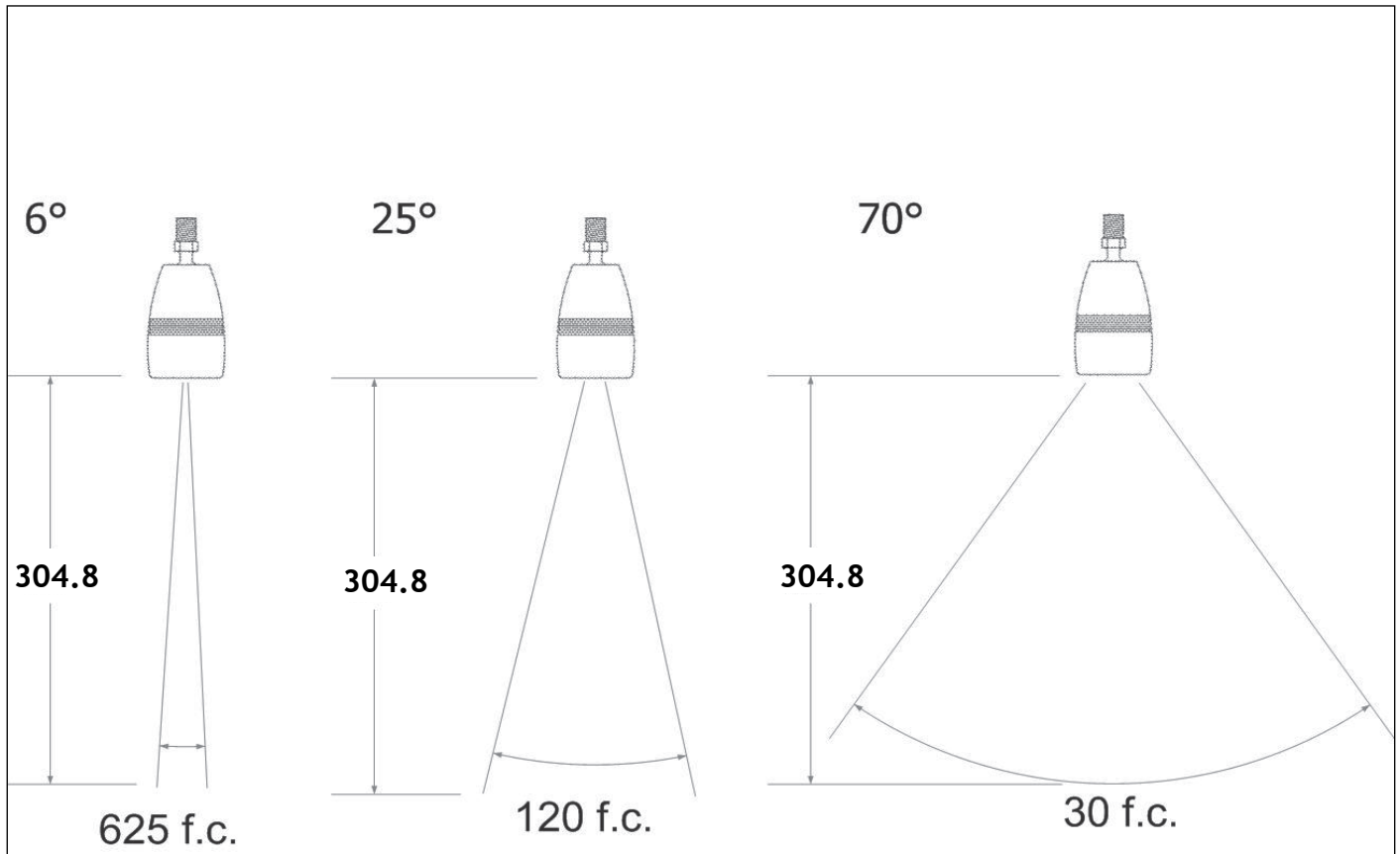


Stand-Alone Spotlight



Optional mounting block
Part #380536

LED Spotlights



LED Spotlight Features

- Anodized aluminum housing
- 30 degree articulating head
- 1 watt LED in 3500, 4100 & 5500 color temperatures
- 70% Lumen maintenance after 50,000 hours of continuous on
- Energy efficient, low voltage lighting system
- Available in 6°, 25° & 70° beam spreads (see illustrations above)
- UL component recognized

LED Spotlight Benefits

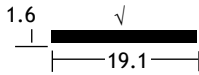
- Long life LED eliminates bulb maintenance
- Anodized housing will not exceed 43.33°C
- No UV rays means products won't fade over time
- Low wattage systems result in reduced energy costs
- Pure, white light enhances brilliance of jewelry and gemstones

Notes: Image above represents typical 4100K lighting.

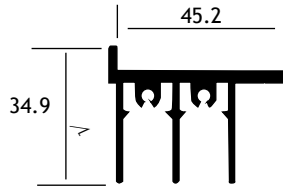
Lighting Accessories

Hardware and Accessories

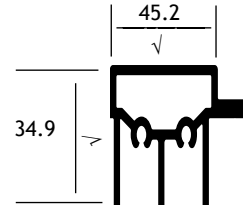
Part #110099
Reflector Strip



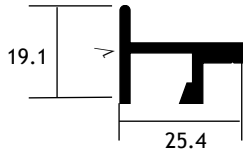
Part #110071
Showcase Channel



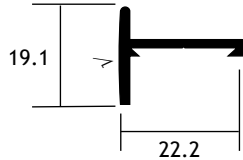
Part #110102
Top Rear
Showcase Channel



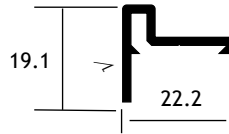
Part #110107
Front Frame



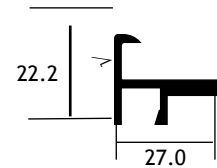
Part #110127
Top Front Frame



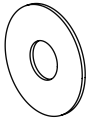
Part #110137
Cover Tee with
6.4mm Return



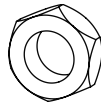
Part #110192
Front Frame with Lip



Part #218035
Fender Washer
38.1mm O.D.



Part #219039
Nut



Part #230056
9.5mm I.D. Super Flex
Conduit, 76.2m



#230056-01 9.5mm I.D.
Super Flex Conduit, 2.1m

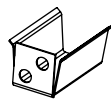
Part #310124
90° Connector



Part #380270
LED 38.1mm Reflector
Mount Bracket



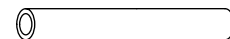
Part #380491
LED 25.4mm Reflector
Mount Bracket



Part #380583
Connector



Part #410050
12.7mm Downtube
9.5mm I.D.

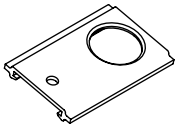


√ = finished surface

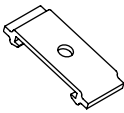
Lighting Accessories

Hardware and Accessories

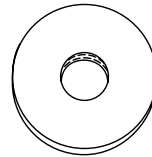
Part #480438
Flex Conduit
Connector Adapter



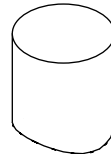
Part #480439
Mount Bracket
Adapter



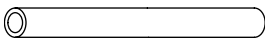
Part #480753
Threaded Washer



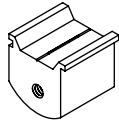
Part #480756
Support Puck



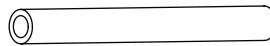
Part #480757
9.5mm Downtube
7.1mm I.D.



Part #480767
Rigid Connector
9.5mm Downtube



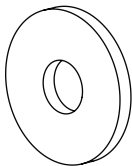
Part #480941
11.1mm Downtube
7.1mm I.D.



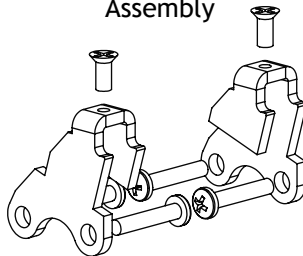
Part #480942
Downtube Threaded
7.1mm I.D.



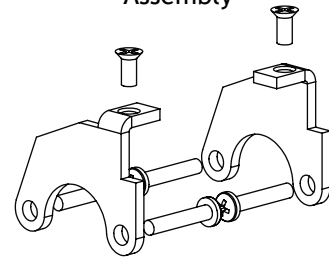
Part #480943
Threaded Washer
31.8mm O.D.



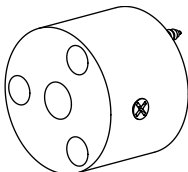
Part #510073
Mount Bracket
Assembly



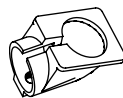
Part #510321
Mount Bracket
Assembly



Part #510378
Downtube Flange



Part #510621
Flex Connector
9.5mm I.D. Conduit



Part #510622
Rigid Connector
12.7mm Downtube



Lighting Accessories

Ballasts and Transformers

BALLASTS				
LAMP DESIGNATION	MAGNETIC BALLAST PART#		ELECTRONIC BALLAST PART#	
	1 LAMP	2 LAMP	1 LAMP	2 LAMP
FM6T2			230292	230292
FM8T2			230292	230292
FM11T2			230292	230292
FM13T2			230292	230292
F4T5	230076			
F6T5	230076			
F8T5	230076			
F14T5			230390	230273
F21T5			230390	230273
F28T5			230392	230273
F35T5			230292	230273
F24T5/HO			230294	230294
F39T5/HO			230294	230296
F54T5/HO			230295	230295
F80T5/HO			230241	N/A
F14T8	230077		230498	N/A
F15T8	230034	230043	230498	230498
F42T6	230386			230427
F64T6	230386			230427
F72T8	230386			230502
F96T8			230501	230502
FO17T8			230307	230226
FO25T8			230307	230226
FO32T8	230063		230307	230226
FO40T8			230271	230500

Ballasts

- Class P thermally protected
- Magnetic rapid start
- High frequency rapid start
- High power factor
- Electronic ballast available upon request

TRANSFORMERS

PART #	DESCRIPTION
230100	TRANSFORMER, 100 VA
230146	TRANSFORMER, 12V 75W

Transformers

- 50 VA and 100 VA 12 volt transformers supplied with halogen orders
- Transformers are UL listed and fused

Call for ballast and transformer availability.

Lighting Accessories

LED Power Supplies and Drivers

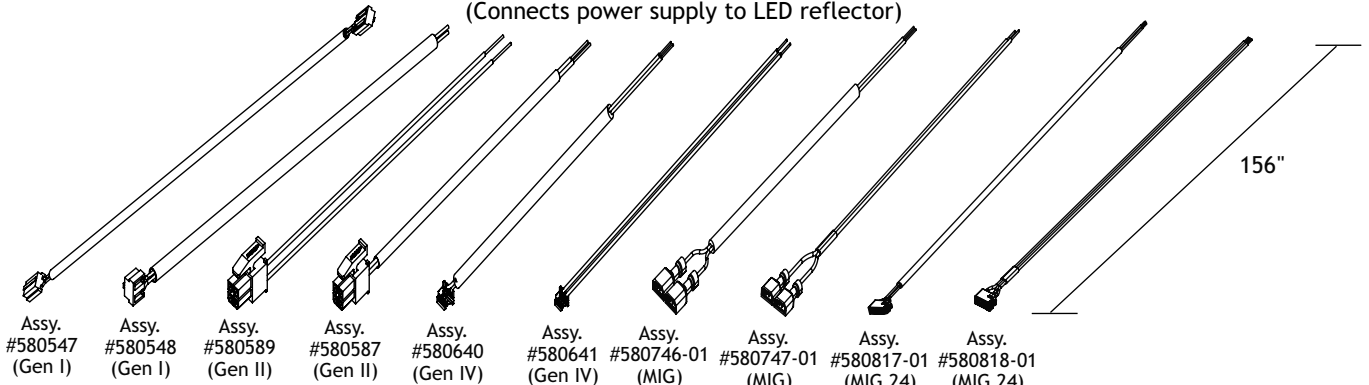
LED POWER SUPPLIES	
PART #	DESCRIPTION
230493	60W, 15.0V, LED, PRESET OUTPUT, UNIVERSAL INPUT 90-264 VAC, 47-63Hz
230493	96W, 15.0V, LED, PRESET OUTPUT, UNIVERSAL INPUT 90-264 VAC, 47-63Hz
230572	60W, 24.0V, LED, PRESET OUTPUT, UNIVERSAL INPUT 90-264 VAC, 47-63Hz
230573	60W, 24.0V, LED, PRESET OUTPUT, UNIVERSAL INPUT 90-264 VAC, 47-63Hz
*580756-01	40W, 18.0v LED, PRESET OUTPUT, UNIVERSAL INPUT 90-264 VAC, 47-63Hz
*580756-02	40W, 15.0v LED, PRESET OUTPUT, UNIVERSAL INPUT 90-264 VAC, 47-63Hz
*580756-04	40W, 24.0v LED, PRESET OUTPUT, UNIVERSAL INPUT 90-264 VAC, 47-63Hz
580829	150W, 24.0v LED, LED POWER SUPPLY & ENCLOSURE INPUT, 115VAC or 230 VAC, 47-63Hz

LED DRIVERS	
PART #	DESCRIPTION
230326	350 MILLIAMPS, 12 WATT
230327	700 MILLIAMPS, 17 WATT
230328	1050MILLIAMPS, 25 WATT
230374	1750 MILLIAMPS, 40 WATT

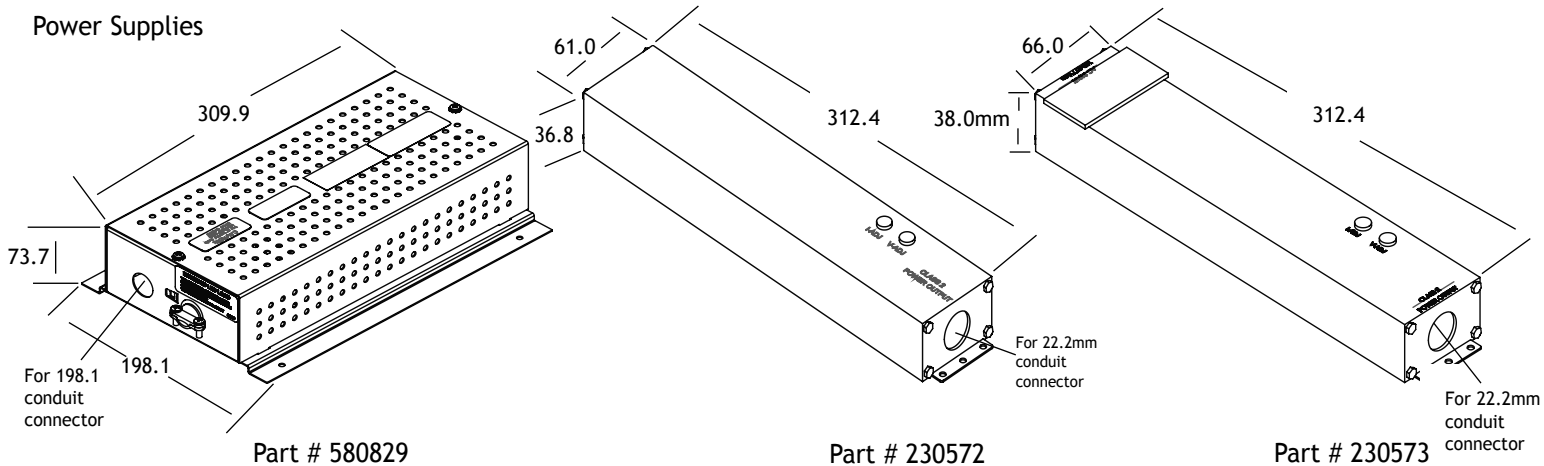
LED Power Supplies

- Power supplies are used with circuits and on-board drivers
- UL recognized component

LED LOW VOLTAGE POWER CABLES (Connects power supply to LED reflector)



Power Supplies

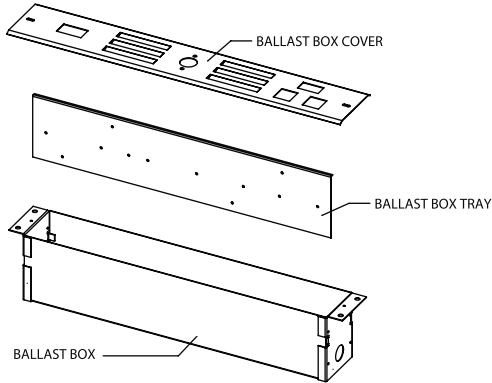


Notes: • *#580756-01, #580756-02 & #580756-04 require 4x4 metal junction box enclosures (included).

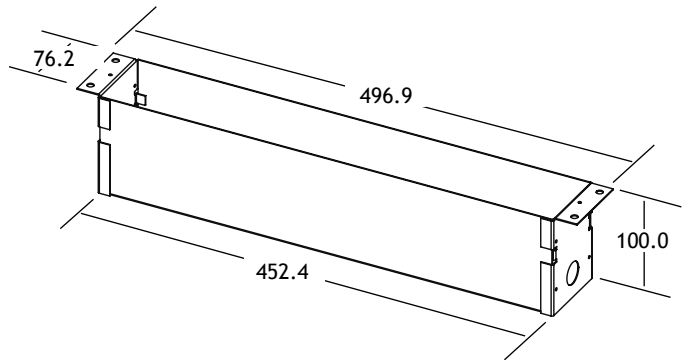
Lighting Accessories

Single Ballast Box and Components

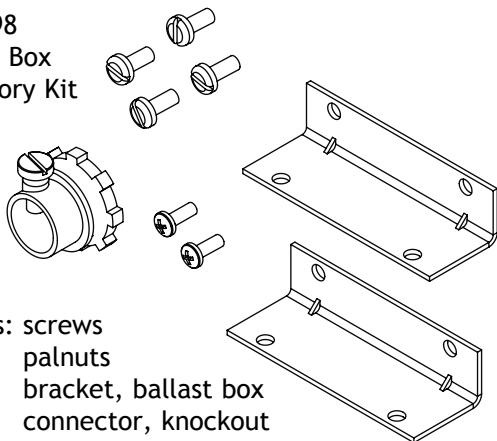
#510599
Single Ballast Box Kit



#510101
Single Ballast Box



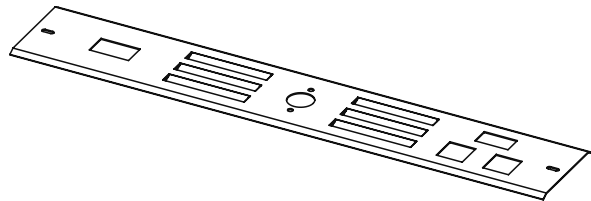
#510598
Ballast Box
Accessory Kit



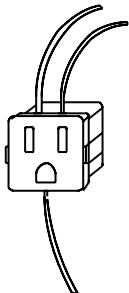
Includes: screws
palnuts
bracket, ballast box
connector, knockout

Ballast Box Cover Plate

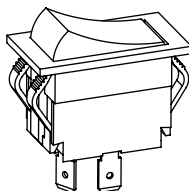
#310079 - Painted Black Steel
#310577 - Anodized Aluminum (See Stylmark
anodized color offerings)



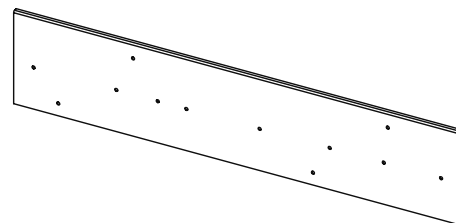
#230028
Grounded Receptacle



#230085
Rocker Switch



#310080
Single Ballast Box Insert Tray for Single Ballast Box



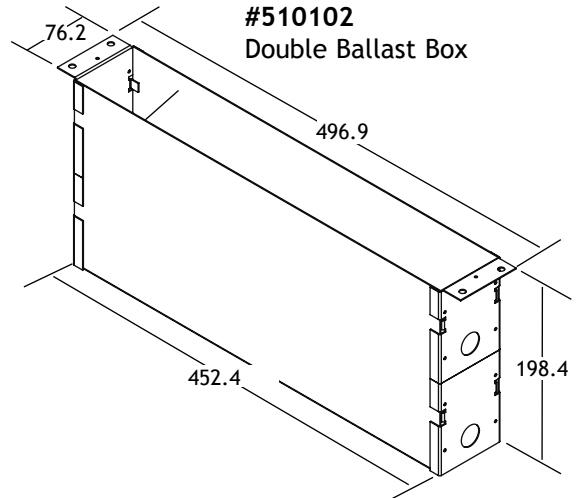
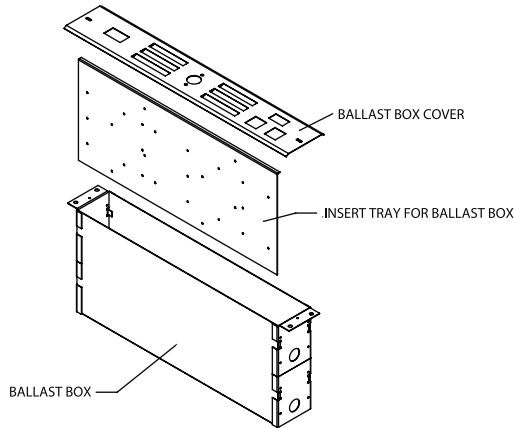
Notes:

- #510600 - Single ballast box kit and accessories includes part numbers #510599 and #510598

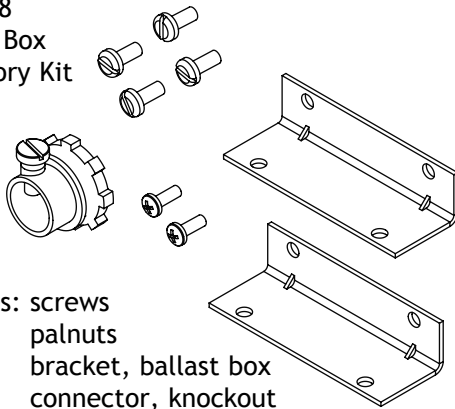
Lighting Accessories

Double Ballast Box and Components

#510625
Double Ballast
Box Kit



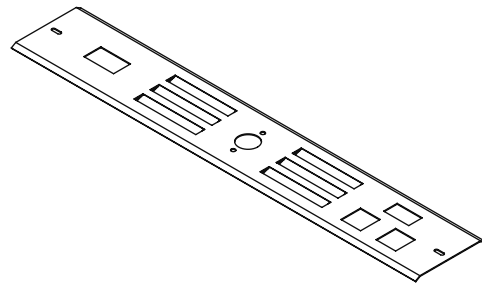
#510598
Ballast Box
Accessory Kit



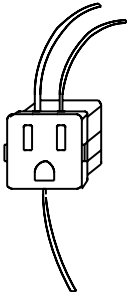
Includes: screws
palnuts
bracket, ballast box
connector, knockout

Ballast Box Cover Plate

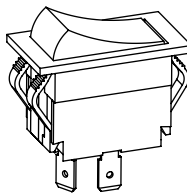
#310079 - Painted Black Steel
#310577 - Anodized Aluminum (See Stylmark
anodized color offerings)



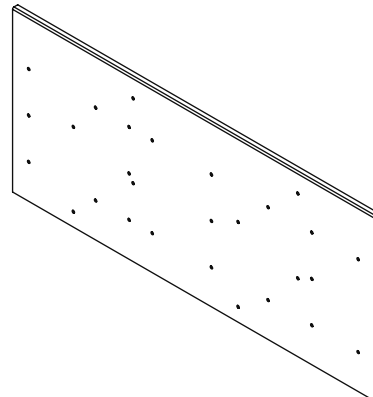
#230028
Grounded Receptacle



#230085
Rocker Switch



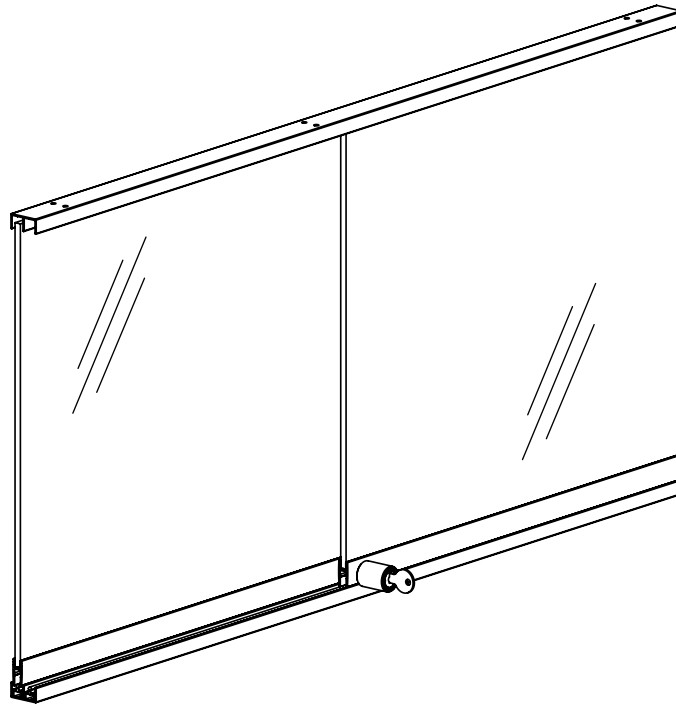
#310085
Ballast Box Insert Tray for Double Ballast Box



Notes: • #510626 - Double ballast box kit and accessories
includes part numbers #510625 and #510598

Rolling Doors

Fully framed security rolling doors are a standard component of the Stylmark aluminum showcase system. Our industry leading doors feature anti-jump security rolling hardware, which engages the door bottom to the flanges on the track. This retainer also prohibits removal of the door while it is locked. Stylmark rolling door hardware and components are available in 3657.6mm stock lengths, or may be custom fabricated to your specified lengths and requirements.



ORDERING ROLLING DOORS	
MODEL #	REFER TO PAGES 44 - 56 OF THIS BROCHURE
NUMBER OF DOOR PANELS	FOR ASSEMBLIES OVER 1600.2mm WIDE, FOUR DOORS WITH A CENTER MULLION ARE RECOMMENDED.
LOCK CONDITION	KENSTAN, PLUNGER LOCK OR FABRICATED FOR BEST LOCK
OPENING SIZE	WIDTH x HEIGHT (DOOR VERTICALS ARE REQUIRED ON DOORS OVER 914.4mm IN HEIGHT)

- Notes:**
- When ordering rolling door hardware for clipped or curved showcases, please provide shop drawings.
 - Rolling door cabinet hardware can be ordered in stock length material for customer fabrication.
 - Lock and vinyl are sold separately when 3657.6mm assemblies are ordered.
 - Door verticals are required on doors over 914.4mm high.

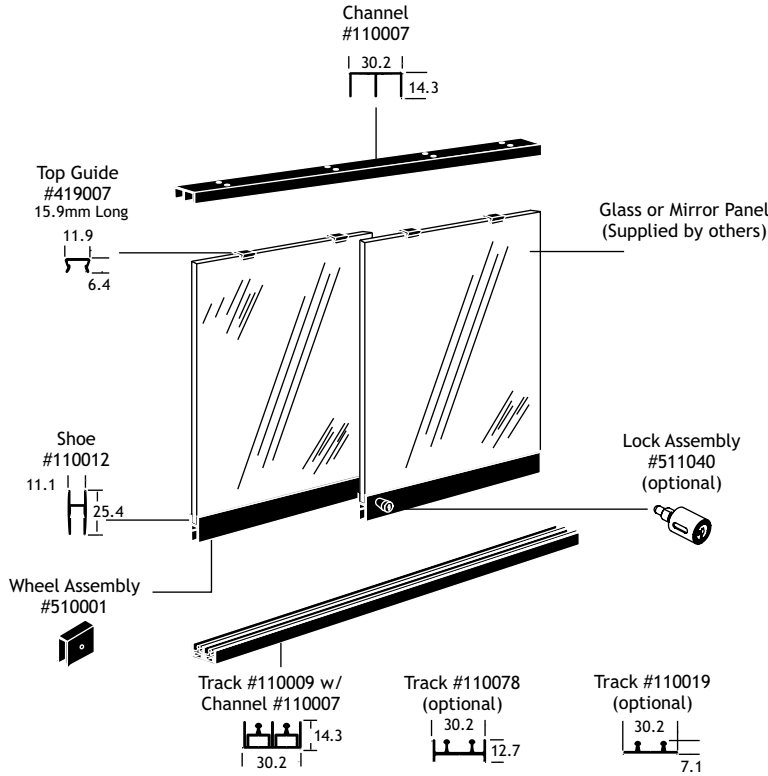
Rolling Doors

Model Components

ROLLING DOOR MODEL #	COMPONENT PIECES						
	TOP CHANNEL	DOOR TOP	DOOR BOTTOM	WHEELS & RETAINERS	BOTTOM TRACK	JAMB	DOOR VERTICALS
610005	110007	419007	110012	510001	110007 110009	OPTIONAL	N/A
610007	110007	419007	110012	510001	110019	OPTIONAL	N/A
610060	110080	N/A	N/A	510041	110079	N/A	N/A
610099	110007	419007	110012	510001	110078	OPTIONAL	N/A
610143	110008	110024 419030	110012	510001 410444	110178	OPTIONAL	OPTIONAL
610144	110071	110024 419030	110012	510001 410444	110178	OPTIONAL	OPTIONAL
610145	110102	110024 419030	110012	510001 410444	110178	OPTIONAL	OPTIONAL
610146	110162	N/A	N/A	510041 410454	110208	N/A	N/A
610165	110022 110372	419007	110140 510241	510041 110022 110372	110009	N/A	N/A
610183	110102	110024 419030	110412 510371	510041 410381	110178	OPTIONAL	N/A
610184	110071	110024 419030	110412 510371	510041 410381	110178	OPTIONAL	N/A
610185	110008	110024 419030	110412 510371	510041 410381	110178	OPTIONAL	N/A
610187	110008	110024 419030	110140 510241	510041 410381	110178	OPTIONAL	N/A
610188	110071	110024 419030	110140 510241	510041 410381	110178	OPTIONAL	OPTIONAL
610189	110102	110024 419030	110140 510241	510041 410381	110178	OPTIONAL	OPTIONAL
610190	110008	110024 419030	110350 510331	510041 410381	110178	OPTIONAL	OPTIONAL
610191	110071	110024 419030	110350 510331	510041 410381	110178	OPTIONAL	OPTIONAL
610192	110102	110024 419030	110350 510331	510041 410381	110178	OPTIONAL	OPTIONAL

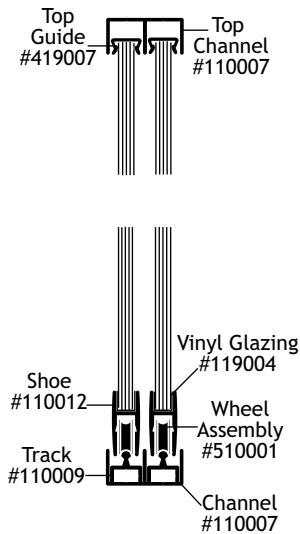
All rolling door components are 3657.6mm lengths and do not include fabrication.

Rolling Doors

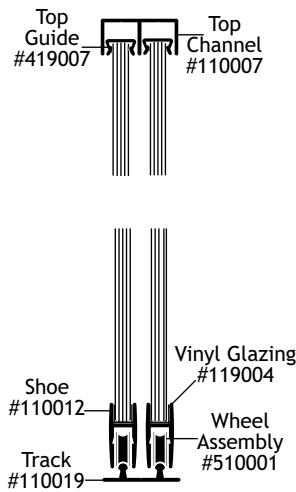


If a door height greater than 914.4mm is needed, vertical moldings are required.

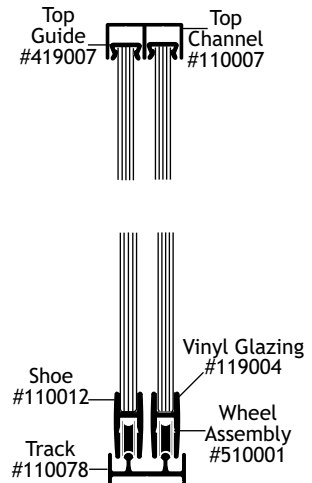
Model #610005*
Standard assembly with removable track designed for easy cleaning



Model #610007
Economy assembly using one piece double track

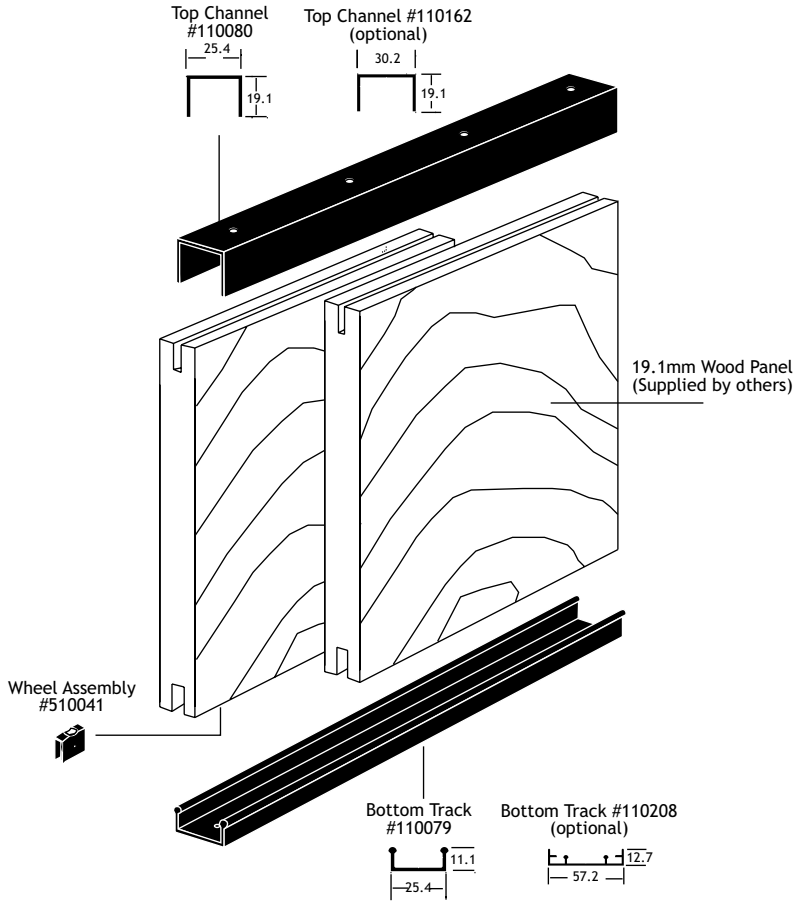


Model #610099
Standard rolling door assembly

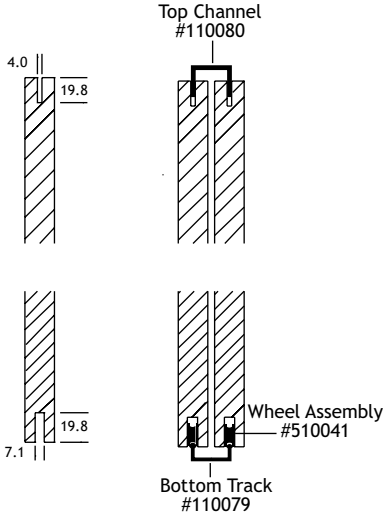


Notes: * Model #610005 has several jamb options that would affect glass size. Please contact Stylmark Customer Service for assistance.

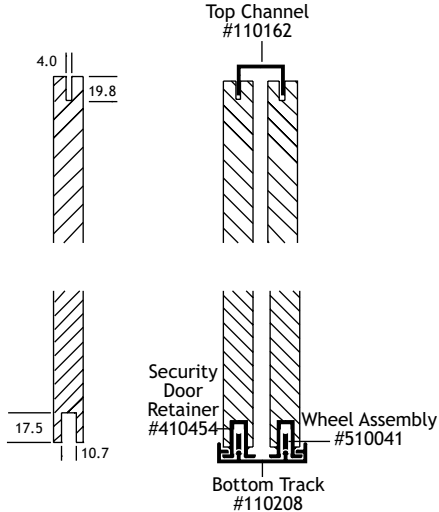
Rolling Doors



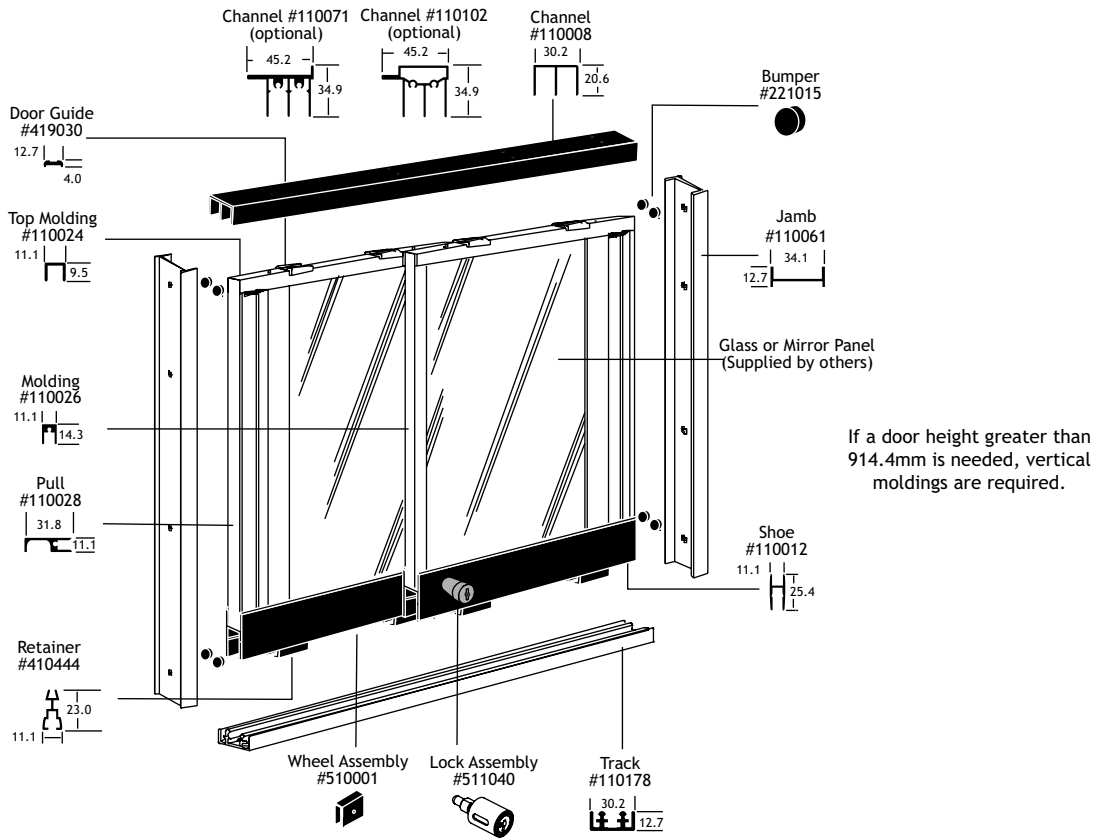
Model #610060
Double track for use when security is not required



Model #610146
Double track for use when security is required



Rolling Doors



These security rolling door assemblies are for 6.4mm panels up to 22.7kg.

Model #610143

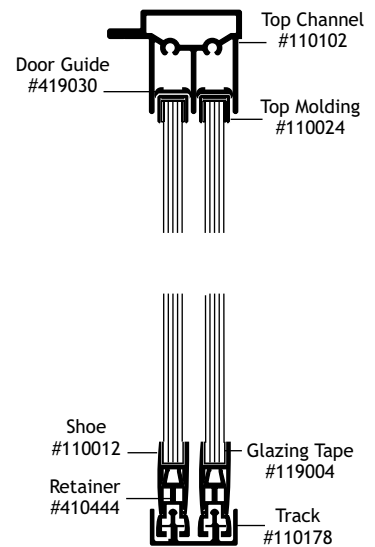
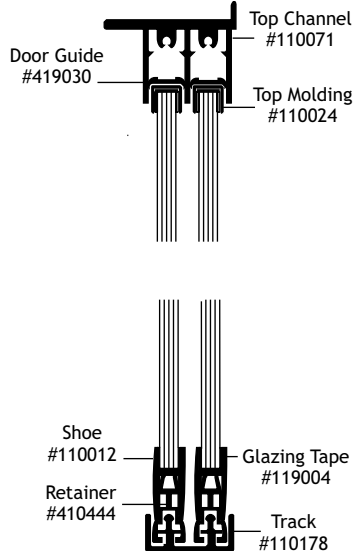
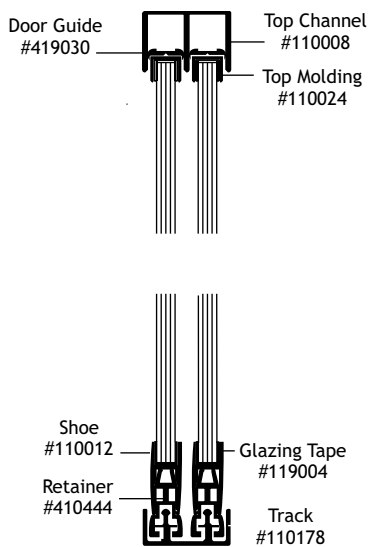
Features the 110008 header and 110012 shoe. Optional door verticals and jambs are available.

Model #610144

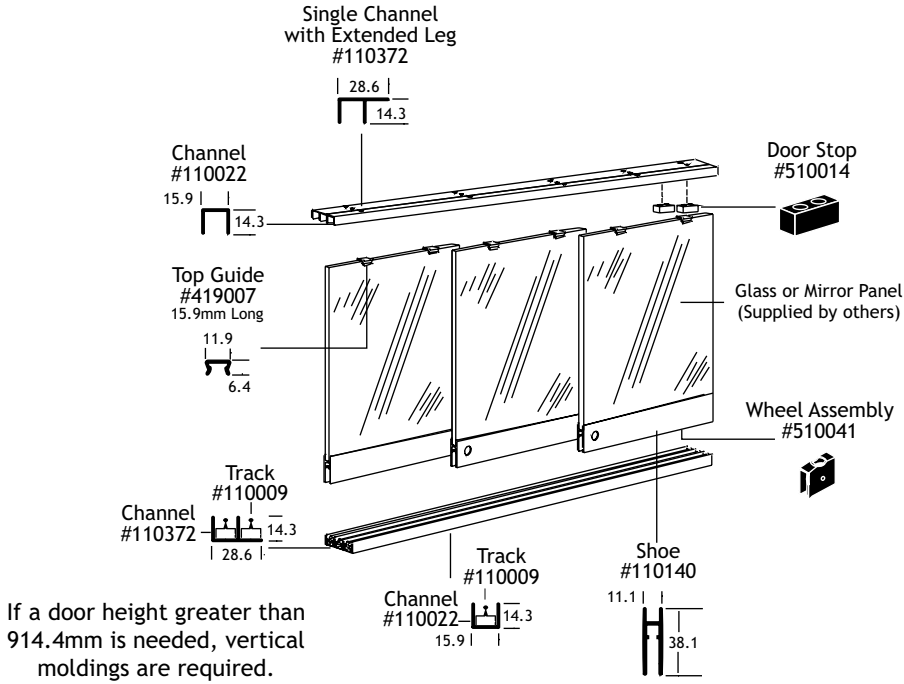
Features the 110071 top header (back frame) and 110012 shoe.

Model #610145

Features the 110102 top header (back frame) and 110012 shoe.

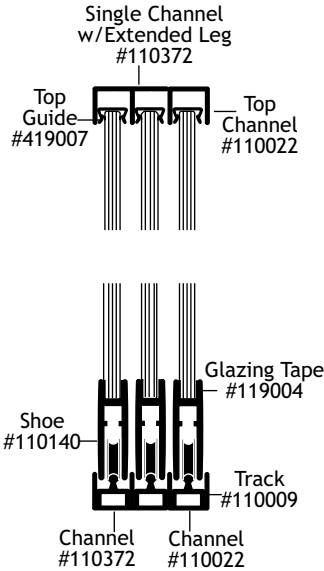


Rolling Doors



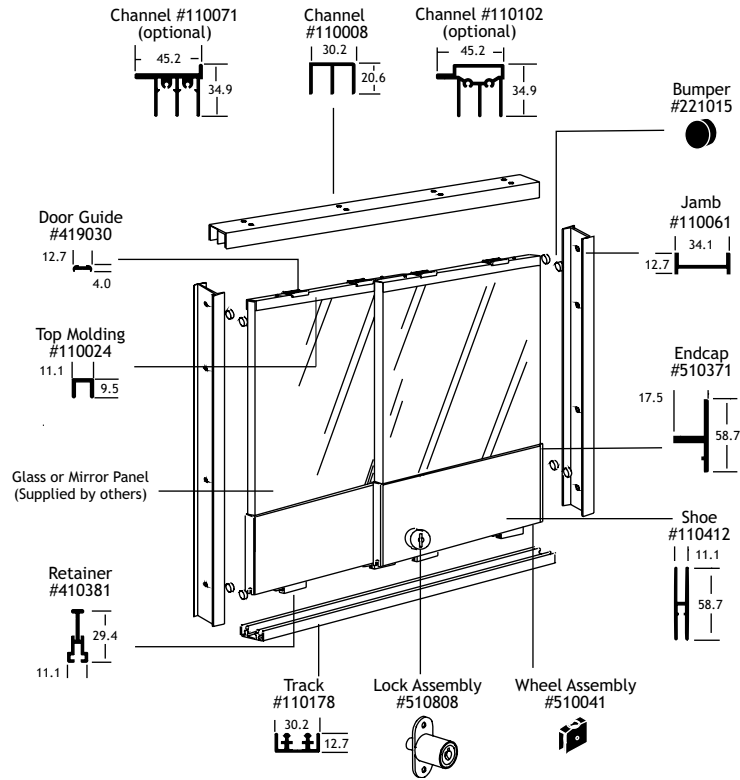
Model #610165

Multiple tracks allow maximum usage of opening by stacking the doors for open access.



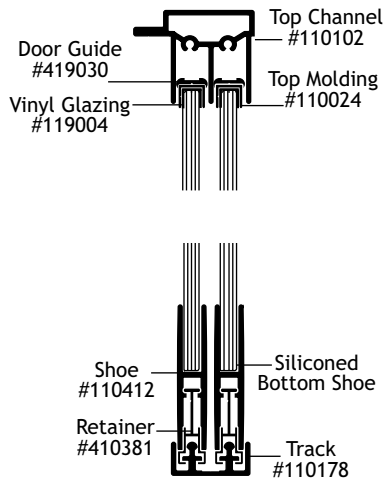
Notes: • Jambs and door verticals are available with fabricated assemblies.

Rolling Doors

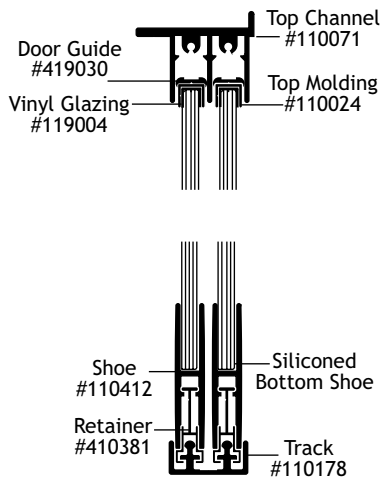


Model #610183

Features the 110412 shoe with 110102 top header (back frame).

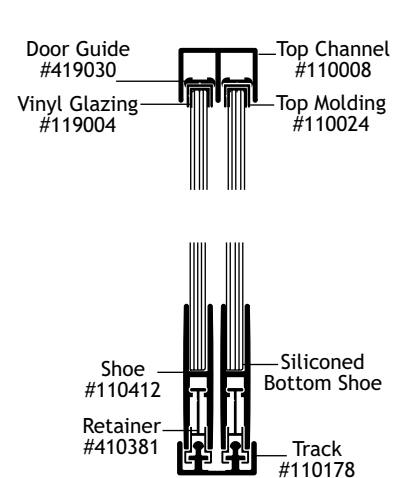


Model #610184

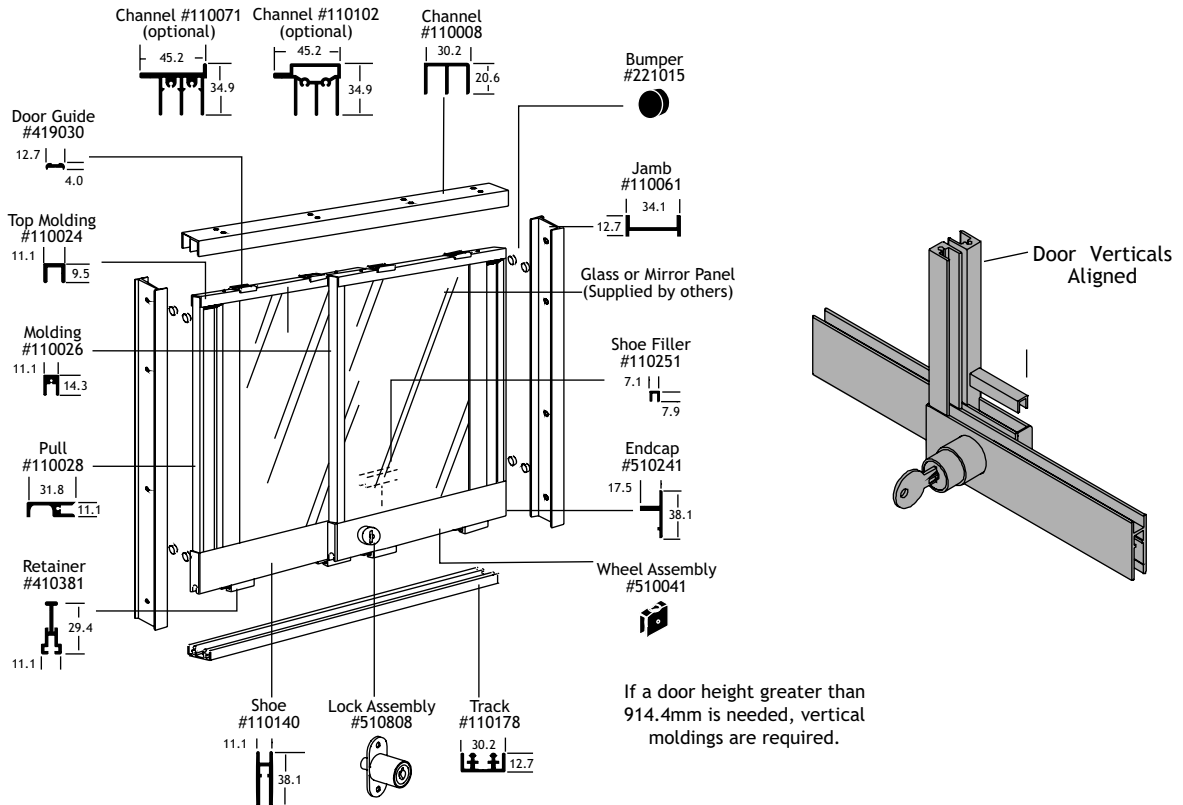


Model #610185

Features the 110412 shoe with 110008 top header (back frame).



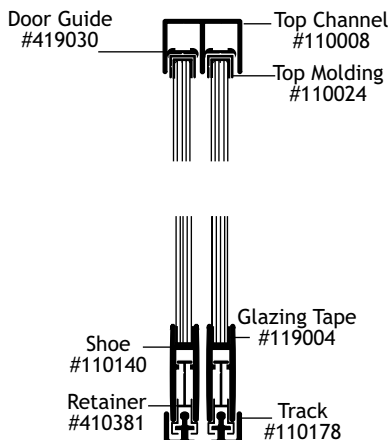
Rolling Doors



Security heavy duty rolling doors for 6.4mm panels up to 36.4kg. Door verticals are standard, but you may order without. Assembly numbers 610187, 610188, and 610189 require overlapping doors to allow for alignment of door verticals. In this case, a shoe filler is used in the rear shoe. This overlap also enables glass for both front and rear doors to remain the same size (shown in picture inset).

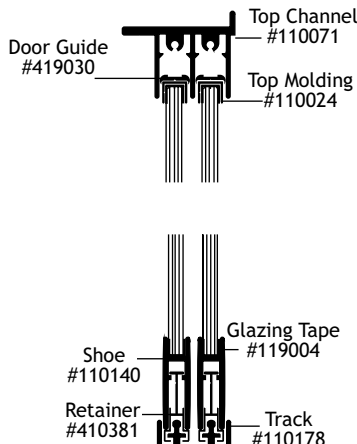
Model #610187

Features the 110008 top header and 110140 shoe.



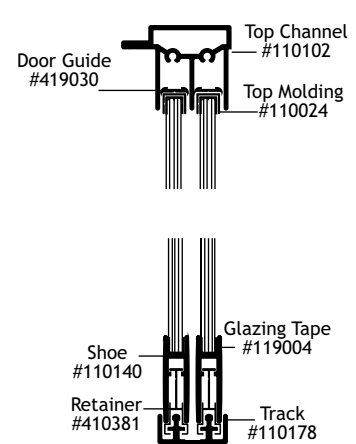
Model #610188

Features the 110071 top header and 110140 shoe.

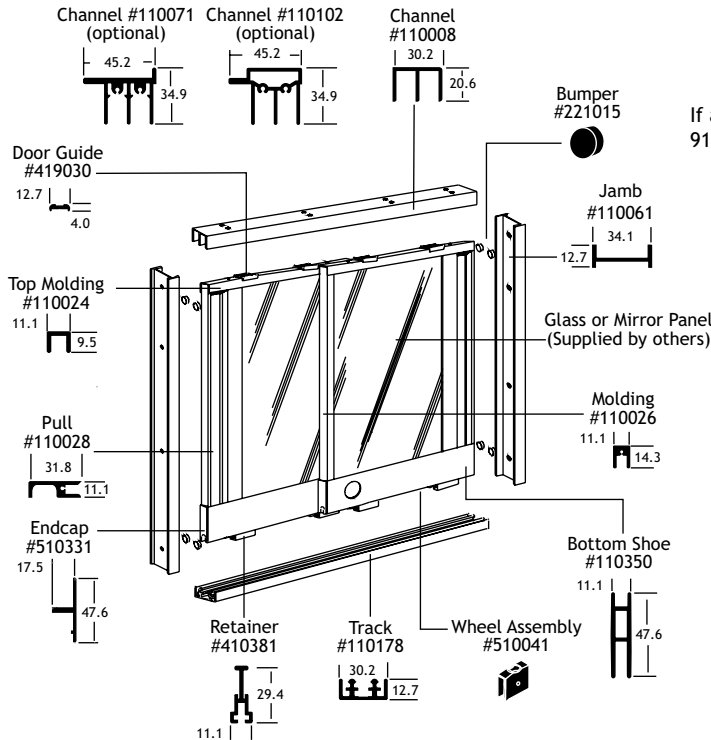


Model #610189

Features the 110102 top header and 110140 shoe.



Rolling Doors

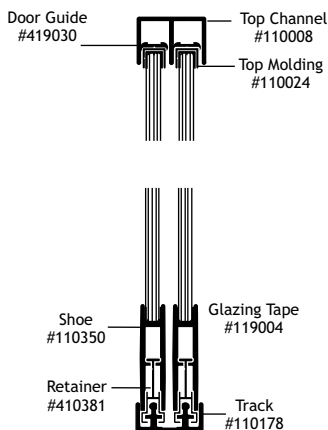


If a door height greater than 914.4mm is needed, vertical moldings are required.

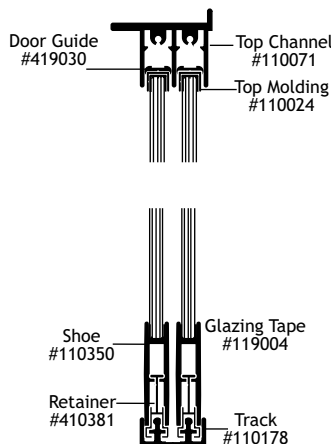
Note: Door verticals do not align

These assemblies feature the 110350 shoe, which accommodates the 4S Bestlock (supplied by others). Used for 6.4mm panels up to 36.4kg. Door verticals are standard, but you may order without.

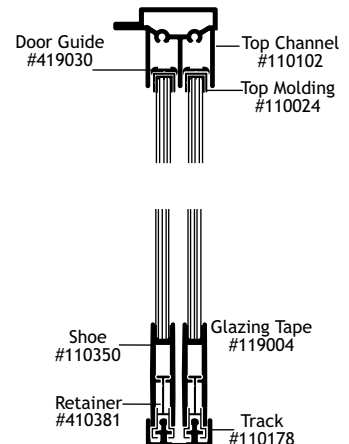
Model #610190
Features the 110008 top header.



Model #610191
Features the 110071 top header.



Model #610192
Features the 110102 top header.



Rolling Doors

Door Panel and Glass Sizing Chart

HARDWARE ASSEMBLY NUMBER	WIDTH		HEIGHT
	WITH SIDE & CENTER VERTICALS DEDUCT FROM OPENING WIDTH AND DIVIDE BY 2	WITHOUT SIDE & CENTER VERTICALS ADD TO OPENING WIDTH AND DIVIDE BY 2	DEDUCT FROM OVERALL HEIGHT
*610005	47.6 ④	25.4 ③	37.3
610007	47.6 ④	25.4 ③	31.0
610060	-	25.4 ③	17.9
610099	47.6 ④	25.4 ③	36.5
610143	65.1 ①④	7.9 ①③	46.8
610144	65.1 ①④	7.9 ①③	62.7
610145	65.1 ①④	7.9 ①③	62.7
610146	-	25.4	20.6
610165	-	4 (DIVIDE BY 3) ②	49.2
610183	-	33.3 ①②	74.6
610184	-	33.3 ①②	74.6
610185	-	33.3 ①②	58.7
610187	65.1 ①④	33.3 ①②	58.7
610188	65.1 ①④	33.3 ①②	74.6
610189	65.1 ①④	33.3 ①②	74.6
610190	15.9 ①	-	68.3
610191	15.9 ①	-	84.1
610192	15.9 ①	-	84.1

Note: * Assembly 610005 has several jamb options that will affect glass size. Please contact Stylmark Customer Service for assistance.

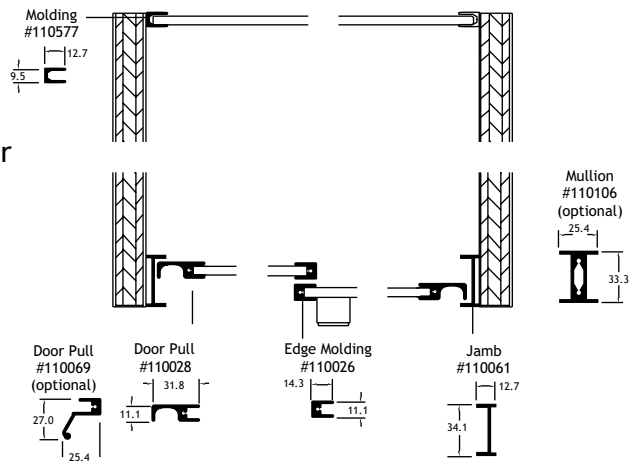
- ① Jamb Included ② 50.8mm Door Overlap ③ 25.4mm Door Overlap
 ④ 14.3mm Door Overlap ⑤ 63.5mm Door Overlap **Door**

Jamb and Mullions

Stylmark's door jambs serve as a filler when spaces are not completely plumb, and provide a vertical accent. Door mullions are typically used for header support and are recommended for spans of 1600.2mm or greater. They also serve as a divider and stop for multiple door applications.

Door Edge Molding and Pulls

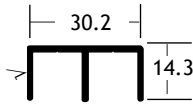
When completely framed door panels are desired, door pulls and U-channel edge moldings are used, as shown.



Rolling Doors

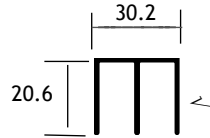
Hardware and Accessories

Part #110007



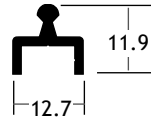
14.3mm
Double Channel

Part #110008



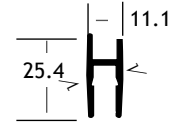
20.6mm
Double Channel

Part #110009



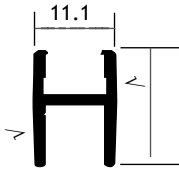
Drop In Track

Part #110012



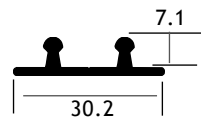
Shoe

Part #110014



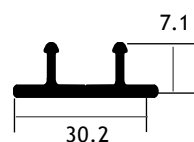
Glide Shoe

Part #110019



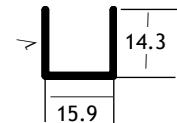
30.2mm
Double Track

Part #110021



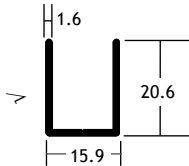
30.2mm
Glide Track

Part #110022



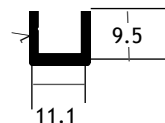
14.3mm Single Channel

Part # 110023



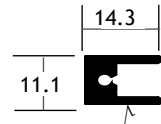
20.6mm Single Channel

Part #110024



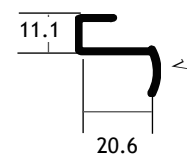
Edge Molding

Part #110026



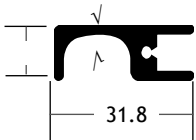
Edge Molding

Part #110027



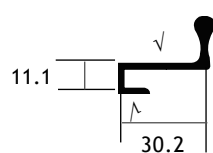
Door Pull

Part #110028



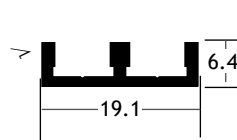
Flush Door Pull

Part #110029



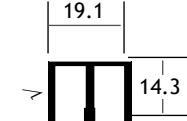
Door Pull

Part #110035



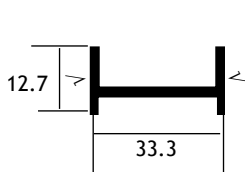
Slide Track

Part #110036



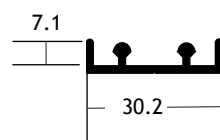
Slide Double Channel

Part #110061



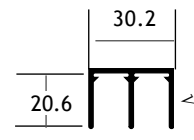
Jamb

Part #110063



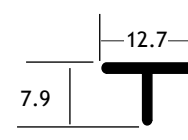
Double Channel Track

Part #110064



Double Channel

Part #110065



Anti-Jump Strip

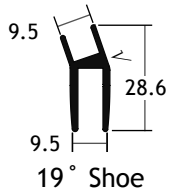
Notes: • Stock length shoes do not include lock fabrication. Lock hole fabricated by customer.

√ = finished surface

Rolling Doors

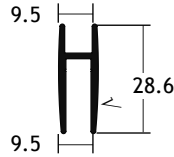
Hardware and Accessories

Part #110066

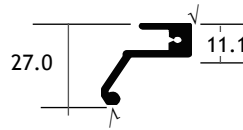


19° Shoe

Part #110067

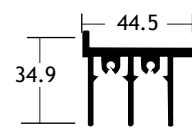


Part #110069

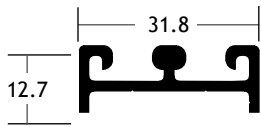


Door Pull

Part #110071

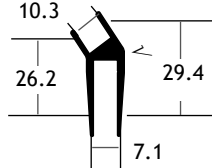


Part #110072



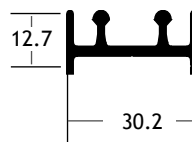
Slide Track

Part #110076



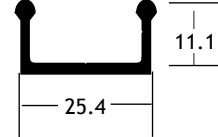
35° Deep Shoe

Part #110078



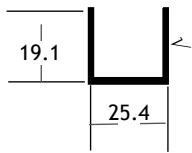
Channel Track

Part #110079



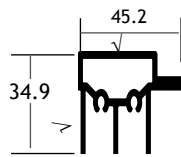
Wood Door Track

Part #110080



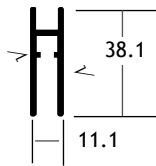
Top U Channel

Part #110102



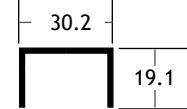
Top Rear Showcase Channel

Part #110140



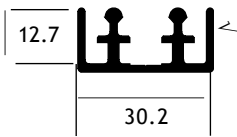
Heavy Duty Shoe

Part #110162



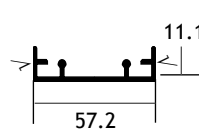
46.0mm Top Channel

Part #110178

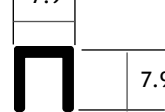


Security Track

Part #110208

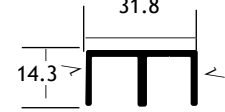


Part #110251



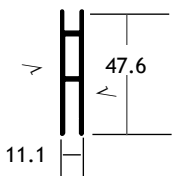
Shoe Filler

Part #110343



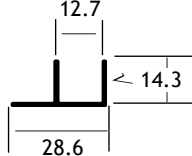
31.8mm x 14.3m Double Channel

Part #110350



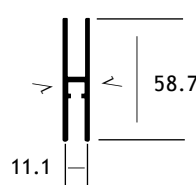
Heavy Duty Shoe

Part #110372



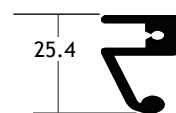
Single Channel with Extended Leg

Part #110412



Deep Pocket Shoe

Part #110531*



Door Pull

- Notes:**
- Stock length shoes do not include lock fabrication. Lock hole fabricated by customer.
 - *Part #110531 special order only.

√ = finished surface

Rolling Doors

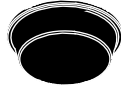
Hardware and Accessories

Part #119004



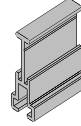
6.4mm Black Vinyl
Glazing Tape (76.2 m)

Part #221015

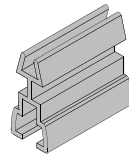


Clear Bumper

Part #410381

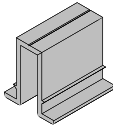


Part #410444



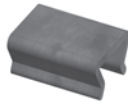
19.1mm Security Door Retainer
(use with 110012 shoe)

Part #410454



47.6mm Security
Door Retainer

Part #419007



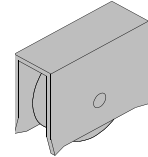
Top Guide

Part#419030



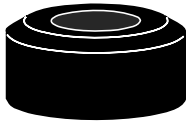
Vinyl Door Guide

Part #510001



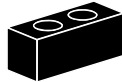
Wheel Assembly
for 110012

Part #510006



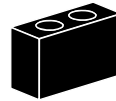
Door Bumper
Assembly

Part #510014



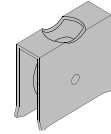
12.7mm Heavy Duty
Door Stop Assembly

Part #510015



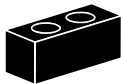
19.1mm Heavy Duty
Door Stop Assembly

Part #510041



Heavy Duty
Wheel Assembly

Part #510060



12.7mm Heavy Duty
Door Stop Assembly

Part #510241

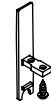


Endcap Assembly
for 110140

Part #510331



Part #510371



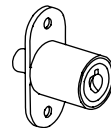
Endcap Assembly
for 110412

Part #511040



Chrome Plunger
Lock Assembly

Part #510808



Chrome K-41 Plunger
Lock Assembly

Notes: • Stock length shoes do not include lock fabrication. Lock hole fabricated by customer.

√ = finished surface



Flexible • Collaborative • Transformative • Solutions

For companies that need more than “just the components”,
Stylmark is a versatile manufacturer that creates the
spectrum of essential elements - to create comprehensive
and distinctive lifestyle environments.

Architectural Trim & Moldings
Backlit Displays & Transparency Frames
Complete Solutions & Specialty Fixtures
Fitting Room Systems & Mirror Kits
Framing & Partition Systems
Hardware & Accessories
Shelving
Showcases
